

# Fiber Optic Customer Outlet



## Description

The fiber optic customer outlet allows easy and unobtrusive termination of fiber optic cables within an office, home or communications room.

## Features

- Made of molded plastic (halogen free, LSZH-1)
- Very flat design, mounts on a standard flush mount electrical outlet
- IP20 rated
- RoHS compliant
- Conforms to UL 94 V-O
- Utilizes reduced bend radius fiber (G657.A and B)
- Accommodates two termination/splice connections
  - 2 SC simplex or 1 LC duplex adapters
  - 2 crimp, mechanical or heat shrink splices
- Lockable with screw or lead-wire seal
- Cable entrance from top and bottom, left and rear

TECHNICAL DATA



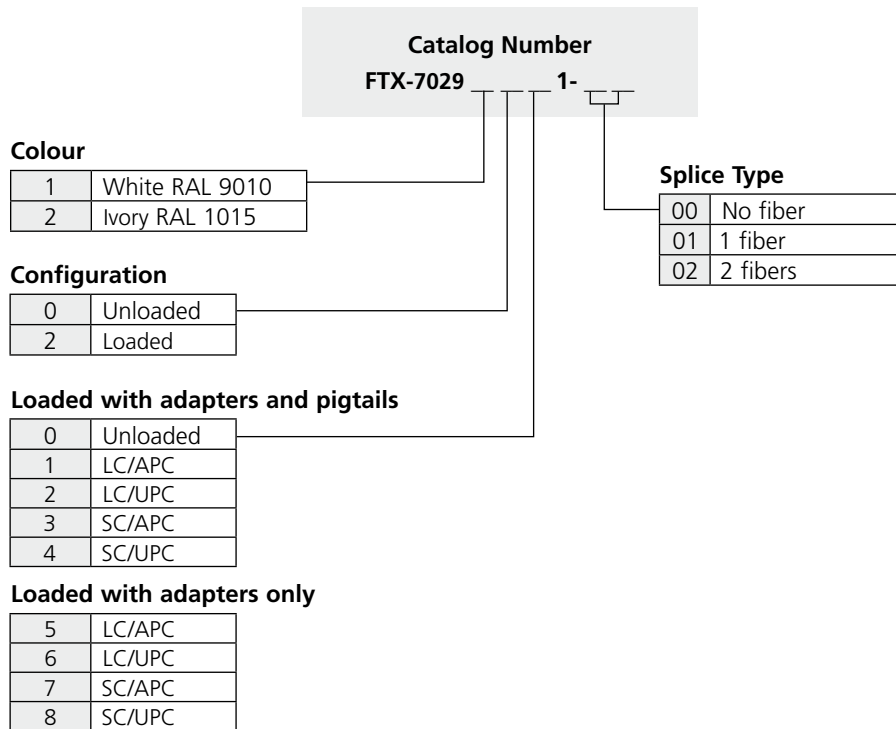
[www.adckrone.com](http://www.adckrone.com) • Technical Assistance Centre: +32 2 712 6542 • [euro.tac@adckrone.com](mailto:euro.tac@adckrone.com)

Freephone (UK only): 0800 960236

## Technical Data

Number of input cable positions	4
Input cable diameter	3 – 7 mm
Maximum capacity	2 fibers
Maximum number of customer feeds	2 patch cords
Dimensions (H x W x D)	115 x 80 x 25 mm
Operating temperature	-40° C to +70° C
Material	PC – FR

TECHNICAL DATA



### Web Site: [www.adckrone.com](http://www.adckrone.com)

**EMEA Office:** ADC GmbH, Beeskowdamm, 3-11, 14167 Berlin, Germany • Phone: +49 30 8453-1818 Fax: +49 30 8453-1703. For a listing of all ADC KRONE's global sales office locations, please refer to our web site.

**UK Office:** ADC Communications (UK) Ltd., Runnings Road, Kingsditch Trading Estate, Cheltenham, Gloucestershire GL51 9NQ, United Kingdom • Phone: +44 (0) 1242 264 400 Fax: +44 (0) 1242 264 488 [contactuk@adckrone.com](mailto:contactuk@adckrone.com)

Specifications published here are current as of the date of publication of this document. Because we are continuously improving our products, ADC KRONE reserves the right to change specifications without prior notice. At any time, you may verify product specifications by contacting ADC GmbH headquarters in Berlin. ADC Telecommunications, Inc. views its patent portfolio as an important corporate asset and vigorously enforces its patents.

200865BE Apr 09 Original © 2009 ADC Telecommunications Inc. All Rights Reserved