



LSA-PLUS® Series 2

Connection and Disconnection Modules and Accessories

1st Edition



LSA-PLUS® Series 2

Connection and Disconnection Modules and Accessories

A technically and commercially superior quick connection system for all state-of-the-art networks. Contacts that ensure the highest degree of reliability even under the most adverse environmental and climatic conditions. A completely reliable, gas-tight connection between the contact and conductor. That's LSA-PLUS® technology.

The LSA-PLUS System family consists of a comprehensive and diverse range of high density, standard and special modules, mounting hardware, test and patch cords, accessories and protection devices.

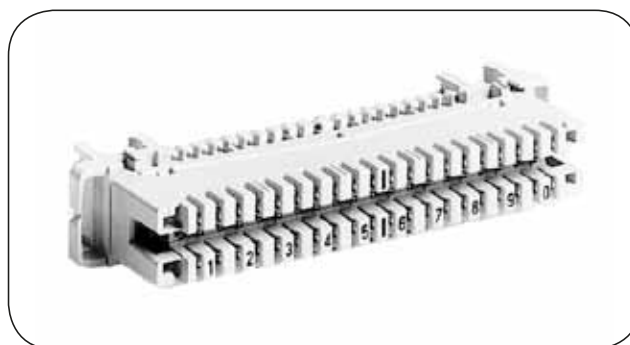
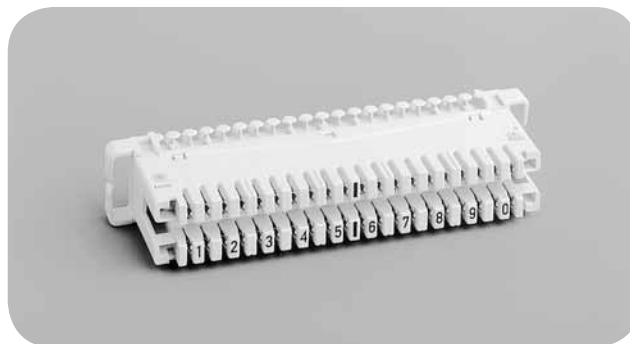
Voice, high-speed data transmission via ISDN, ADSL, VDSL, cable TV, Internet access, mobile networks: working in conjunction with TE Connectivity you will be able to confidently face the issues created by vast amounts of network traffic. In addition, TE quality ensures total end-customer satisfaction. TE copper connectivity solutions are designed to deliver fast, safe and reliable transmission.

LSA-PLUS® and LSA PROFIL® Connection Modules

Series 2 Eight- and Ten-Pair Modules

FEATURES & BENEFITS

- Based on genuine LSA-PLUS® connection technology
- Available in eight- and ten-pair configurations with parallel test access or overvoltage protection contact
- LSA-PLUS modules mount on back mount frames
- LSA PROFIL modules mount on profile rods (8-pair modules: 75mm spacing between rods; 10-pair modules: 95mm spacing between rods) or on back mount frames
- Suitable for use in all xDSL and ADSL2+ circuits
- Robust long-term environmental stability allows both indoor and outdoor installation
- Supports all LSA-PLUS Series 2 accessories
 - Overvoltage protection magazine
 - Labels
 - Test and connection cords



ORDERING INFORMATION

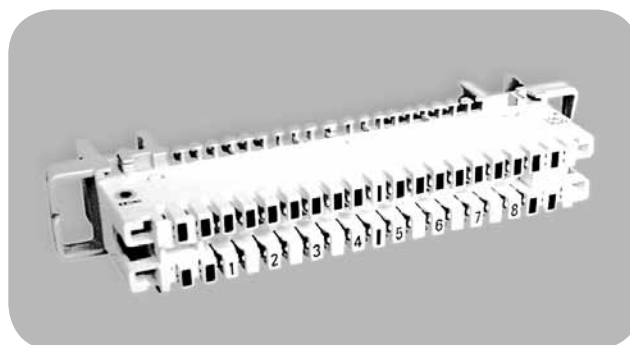
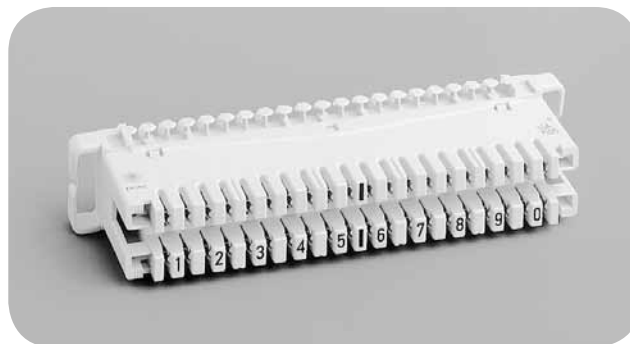
Description	Catalog Number
8-pair modules	
LSA-PLUS Series 2 connection module, cable end up, no color code. Printed: jumper side 1...8	6036 1 002-00
LSA PROFIL Series 2 connection module, no color code. Printed: jumper side 1...8	6036 1 004-00
10-pair modules	
LSA-PLUS Series 2 connection module	
Cable end up, no color code. Printed: jumper side 1...0	6089 1 002-02
Cable end up, with color code. Printed: jumper side 1...0	6089 1 002-01
Cable end up, no color code. Printed: jumper side 0...9	6089 1 002-06
LSA PROFIL Series 2 connection module	
No color code. Printed: jumper side 1...0	6089 1 120-02
With color code. Printed: jumper side 1...0	6089 1 120-01
No color code. With large jumper guides. Printed: jumper side 1..0	6089 1 120-19
No color code. No jumper guides. Printed: jumper side 1...0	6089 1 120-23

LSA-PLUS® and LSA PROFIL® Disconnection Modules

Series 2 Eight- and Ten-Pair Modules

FEATURES & BENEFITS

- Eight- and ten-pair modules with disconnection points for opening the line, testing in both directions or insertion of graded protection elements
- Based on genuine LSA-PLUS® connection technology
- LSA-PLUS modules mount on back mount frames
- LSA PROFIL modules mount on profile rods (8-pair modules: 75 or 95mm spacing between rods; 10-pair modules: 95mm spacing between rods) or on back mount frames
- Suitable for use in all xDSL and ADSL2+ circuits
- Robust long-term environmental stability allows both indoor and outdoor installation
- Supports all LSA-PLUS Series 2 accessories
 - Overvoltage protection magazine
 - Labels
 - Test and connection cords



ORDERING INFORMATION

Description	Catalog Number
8-pair modules	
LSA-PLUS Series 2 disconnection module, no color code. Printed: jumper side 1...8 Quantity: 10	6036 1 102-00
LSA PROFIL Series 2 disconnection module. <i>For profile rod installations with 75mm spacing between rods.</i> No color code. Printed: jumper side 1...8	6036 1 005-00
LSA PROFIL Series 2 disconnection module. <i>For profile rod installations with 95mm spacing between rods.</i>	
No color code. With jumper guides. Printed: jumper side 1...8	6089 1 128-00
No color code. With jumper guides. Printed: jumper side 1...8	6089 1 128-01
No color code. With large jumper guides. Printed: jumper side 1...8	6089 1 128-02
No color code. With jumper guides; no dummy insert. Printed: jumper side 1...8	6089 1 121-47
10-pair modules	
LSA-PLUS Series 2 disconnection module	
No color code. Printed: jumper side 1...0	6089 1 102-02
With color code. Printed: jumper side 1...0	6089 1 102-01
No color code. Printed: jumper side 0...9	6089 1 102-06
With color code. Printed: jumper side 1...0	6089 1 102-09
LSA PROFIL Series 2 disconnection module	
No color code. Printed: jumper side 1...0	6089 1 121-02
With color code. Printed: jumper side 1...0	6089 1 121-01
No color code. With large jumper guides. Printed: jumper side 1...0	6089 1 121-17
No color code. No jumper guides. Printed: jumper side 1...0	6089 1 121-30

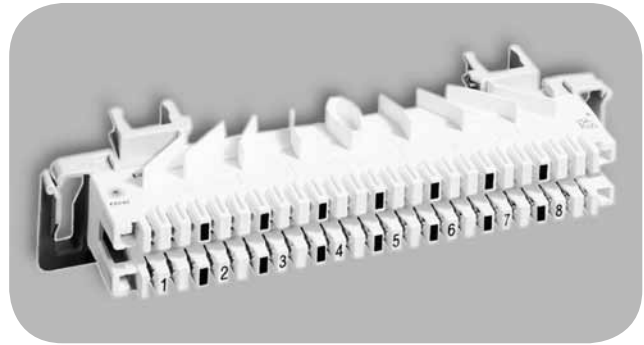
LSA PROFIL® Series 2

Disconnection Module for 2 Mbps Networks

DESCRIPTION

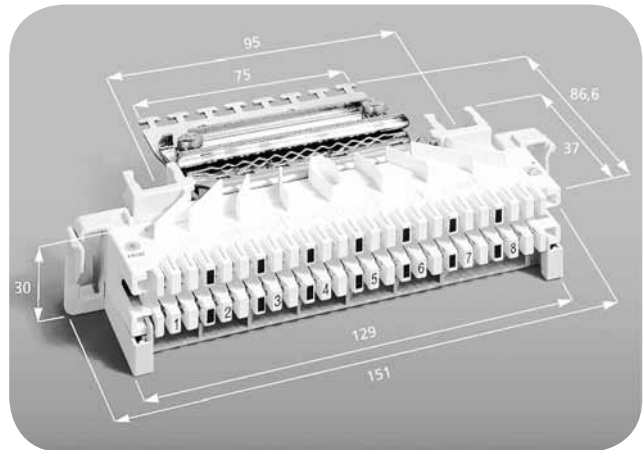
The expansion of mobile communications networks, the introduction of new mobile phone systems (3G, UMTS, 4G, LTE) and the steady growth of IP networks, have created a demand for bandwidth in both access and transmission networks. This in turn causes the extension of existing hubs and the installation of new hubs.

The ADC KRONE PROFIL system provides a foundation for networks served by 2 Mbps copper pairs with impedance of 120 Ohms.



FEATURES & BENEFITS

- Disconnection module for the distribution of eight shielded pairs
- Applications include:
 - Internet backbone
 - GSM networks
 - UMTS networks
- Complies with ITU-T G.703 recommendations (physical/electrical characteristics of hierarchical digital interfaces)
- Category 6-rated NEXT performance
- Compatible with a wide-range of LSA-PLUS® Series 2 accessories
- Accessories disconnect only the Line A/Line B contacts, while the shielding remains interconnected. Plugs and cords are available to disconnect the shield, should that be required
- Ports are marked on the module



ORDERING INFORMATION

Description	Catalog Number
LSA PROFIL Series 2 8-pair disconnection module for shielded twisted pair	
With left and right jumper guides	7015 1 008-01
With 3 wire guides for jumpers to the left	7015 1 004-50
With 3 wire guides for jumpers to the right	7015 1 005-50
Accessories	
Hinged label holder	7015 1 003-50
Cable support with cable mounting and shield contact for 1 cable with 8 pairs Depth: 12mm	7015 1 009-01
Cable support with cable mounting and shield contact for 8 cables with 1 pair Depth: 3mm	7015 1 009-11
Universal cable support for 1-, 2- and 4-pair cables. Depth: 3-6mm	7015 1 009-21

LSA-PLUS® and LSA PROFIL® Modules

Mounting and Labelling Accessories

Back mount frames

SELECTION CRITERIA

Calculating necessary installation space: Back mount frame length = Module spacing x (number of modules - 1) + 20mm

Frame depth: based on conductor diameter of 0.5mm, including insulation of 1.5mm. Deeper frames must be selected for wires measuring 0.6mm - 0.9mm, or when the cable is fed through the frame bundle by bundle.

- Up to 70 pairs: >12mm
- Up to 100 pairs: >22mm
- Up to 200 pairs: >30mm
- 200 pairs or greater: >50mm

MODULE SPACING:

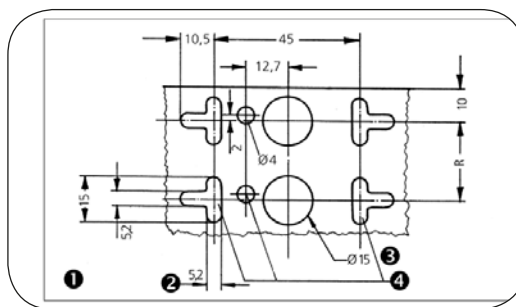
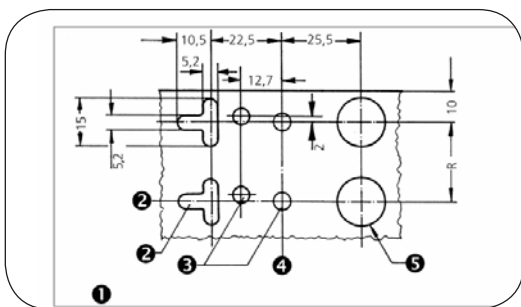
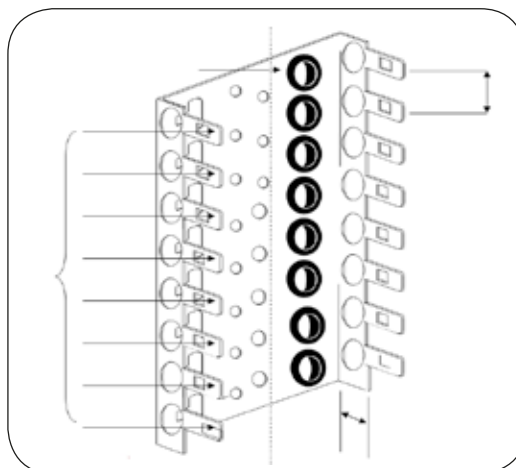
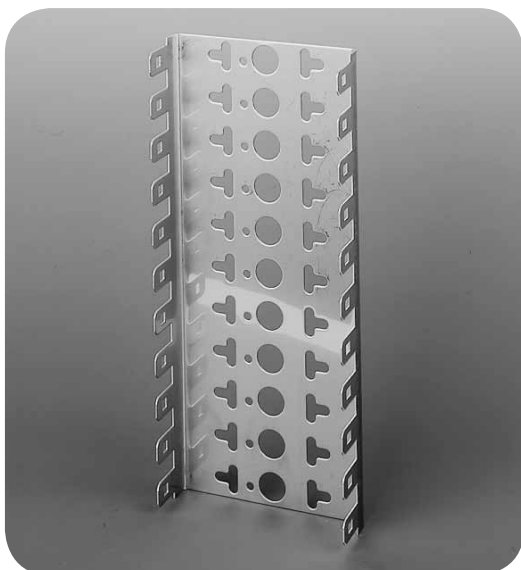
- 25mm with jumper guides on one side
- 22.5mm with jumper guides on two sides
- 27.5mm with jumper guides on one side, when wire with thicker insulation is used

HOLE PATTERN:

- Hole pattern 1: Central cable entry. Used with mounting adapters for wall mounting or for installation in customer premises connection boxes
- Hole pattern 2: Right-side cable entry, for universal use with asymmetrical mounting

LSA-PLUS® and LSA PROFIL® Modules

Back Mount Frames with 22.5mm and 25.0mm Module Spacing



ORDERING INFORMATION

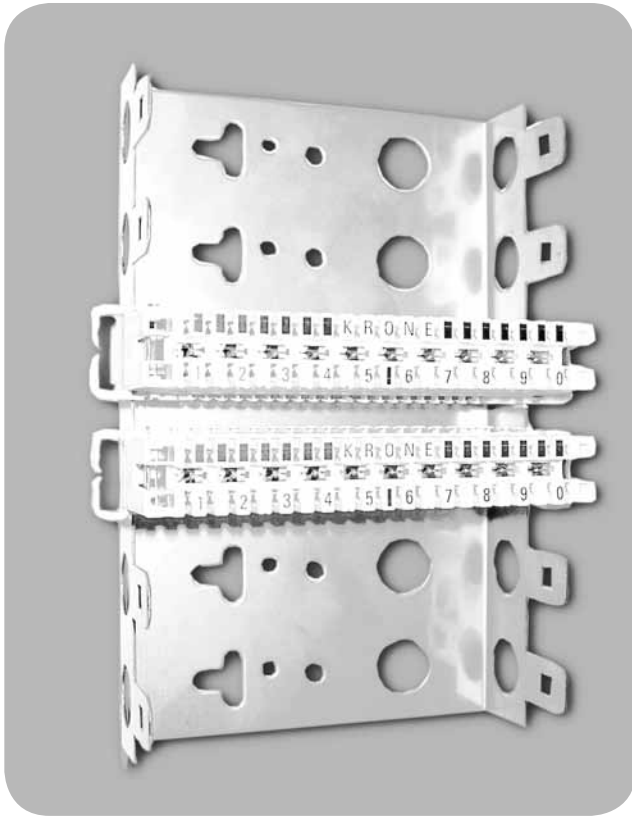
Description	Module spacing	Number of Modules	Catalog Number	
LSA-PLUS Series 2, 10-pair, Depth of cable space/frame: 22.5mm Hole pattern: 1	12mm	1 to 11	6050 3 112-	01...11
	22mm	1 to 22	6050 3 122-	01...22
	30mm	1 to 33	6050 3 130-	01...33
	50mm	10 to 50	6050 3 150-	10...50
LSA-PLUS Series 2, 10-pair, Depth of cable space/frame: 25mm Hole pattern: 2	22mm	1 to 22	6442 3 222-	01...22
	30mm	1 to 33	6442 3 230-	01...33
	50mm	10 to 50	6442 3 250-	10...50
	70mm	21 to 50	6442 3 270-	21...50
LSA-PLUS Series 2, 8-pair, Depth of cable space/frame: 22.5mm Hole pattern: 1	22mm	1 to 16	6054 3 122-	01...16
LSA-PLUS Series 2, 8-pair, Depth of cable space/frame: 25mm Hole pattern: 2	22mm	17	6441 3 222-17	
	30mm	3	6441 3 230-03	
	30mm	9	6441 3 230-09	
	50mm	9	6441 3 250-09	
	50mm	17	6441 3 250-17	

Accessories

Set of 100 mounting screws (145x16), washers and nuts for back mount frames	6044 2 106-00	
---	---------------	--

LSA-PLUS® and LSA PROFIL® Modules

Back Mount Frame with 27.5mm Module Spacing

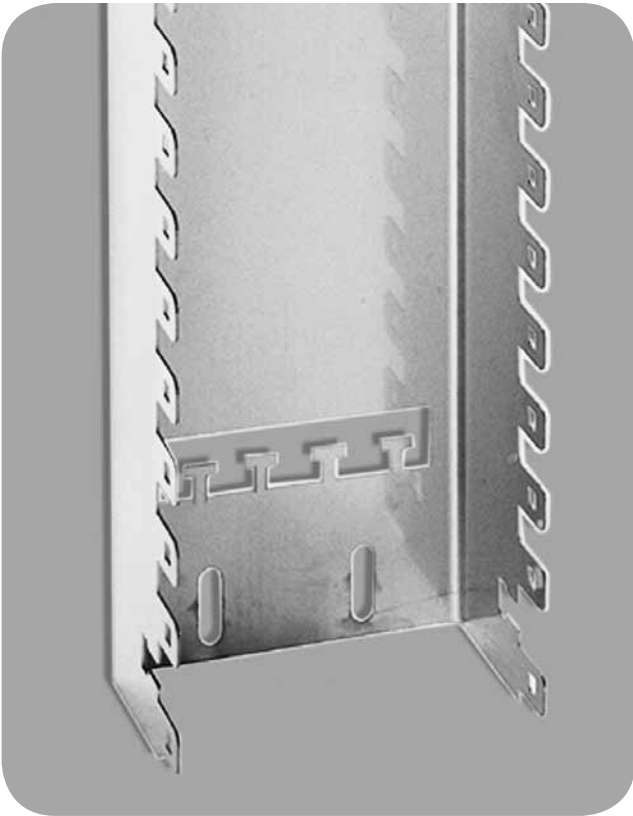


ORDERING INFORMATION

Description	Number of Modules	Depth of Cable Space	Module spacing	Catalog Number
LSA-PLUS Series 2, 10-pair, Depth of cable space/frame: 22mm Hole pattern: 2	4	22mm	27.5mm	6569 3 054-11
	6	22mm	27.5mm	6569 3 054-12
	11	22mm	27.5mm	6569 3 054-13
	13	22mm	27.5mm	6569 3 054-15
LSA-PLUS Series 2, 10-pair, Depth of cable space/frame: 50mm Hole pattern: 2	10 Series 2, 10-pair modules, plus 1 additional module or label holder	50mm	27.5mm	6569 3 054-16
	20 Series 2, 10-pair modules, plus 1 additional module or label holder	50mm	27.5mm	6569 3 054-17
	30 Series 2, 10-pair modules, plus 1 additional module or label holder	50mm	27.5mm	6569 3 054-18

LSA-PLUS® and LSA PROFIL® Modules

Back Mount Frame



FEATURES & BENEFITS

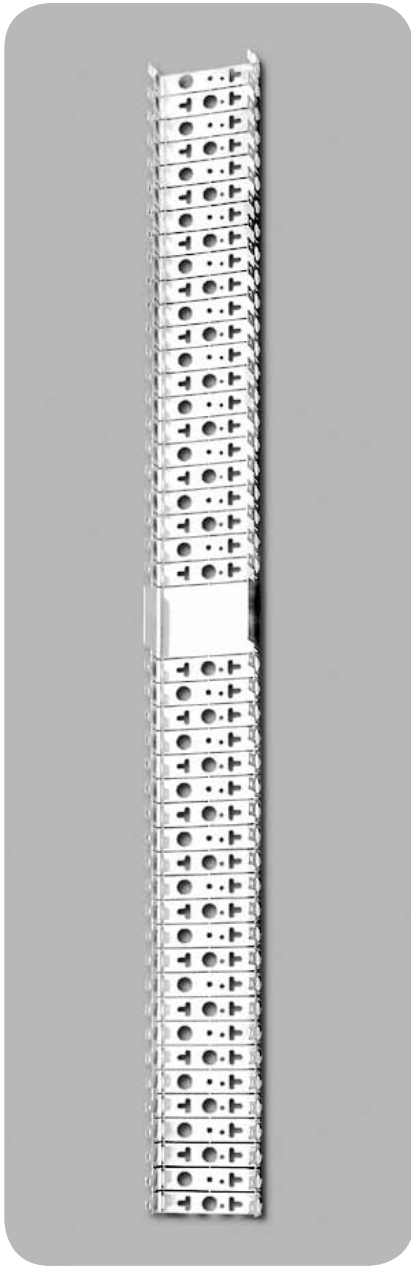
- Accommodates from 10 to 40 Series 2, 10-pair modules, plus an additional termination module, label holder or earth-wire module
- Blocks of 100 pairs separated from each other (spacing between groups of 10 modules is 30mm)
- Overall width: 104.5mm
- Module spacing: 22.5mm
- Depth of cable space/frame: 50mm

ORDERING INFORMATION

Number of Modules	Depth of Cable Space	Module spacing	Dimensions (Length x Width)	Catalog Number
10 Series 2, 10-pair modules, plus 1 additional module or label holder	50mm	22.5mm	263mm x 104.5mm	5267 3 585-00
20 Series 2, 10-pair modules, plus 1 additional module or label holder	50mm	22.5mm	496mm x 104.5mm	5267 3 585-01
30 Series 2, 10-pair modules, plus 1 additional module or label holder	50mm	22.5mm	728mm x 104.5mm	5267 3 585-02
40 Series 2, 10-pair modules, plus 1 additional module or label holder	50mm	22.5mm	961mm x 104.5mm	5267 3 585-03

LSA-PLUS® and LSA PROFIL® Modules

Modular Back Mount Frame



FEATURES & BENEFITS

- Total of 45 module mounting slots in two sections (one with 22 slots, one with 23)
- Five pre-stressed break-off points between the module's slits can be cut with a saw, allowing the frame to be cut on-site to the desired length
- Back of the frame contains both hole patterns 1 and 2
- Use of the maximum (45) mounting slots is recommended when a total of 100 pairs are to be terminated on a frame with a cable space depth of 22mm

ORDERING INFORMATION

Module Type	Depth of Cable Space	Module Spacing	Catalog Number
Series 2, 8-pair	22mm	22.5mm	6973 1 200-02
Series 2, 10-pair	22mm	22.5mm	6973 1 210-02
	22mm	25mm	6973 1 210-12
	30mm	25mm	6973 1 210-13
	50mm	22.5mm	6973 1 210-04
	50mm	25mm	6973 1 210-14
	50mm	27.5mm	6973 1 210-24

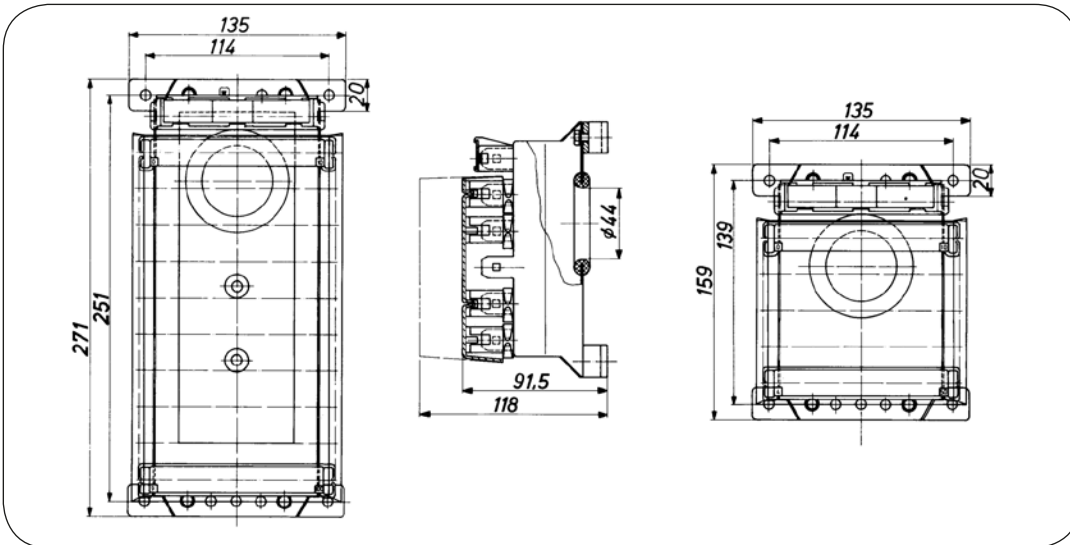
LSA-PLUS® and LSA PROFIL® Modules

Back Mount Frame for Cable Head Installations



FEATURES & BENEFITS

- For installations with limited or narrow space
- Two sizes, accommodating five or ten LSA-PLUS® Series 2, 10-pair modules plus an additional termination module, label holder or earth-wire module
- No mounting materials (screws, nuts, washers) are included

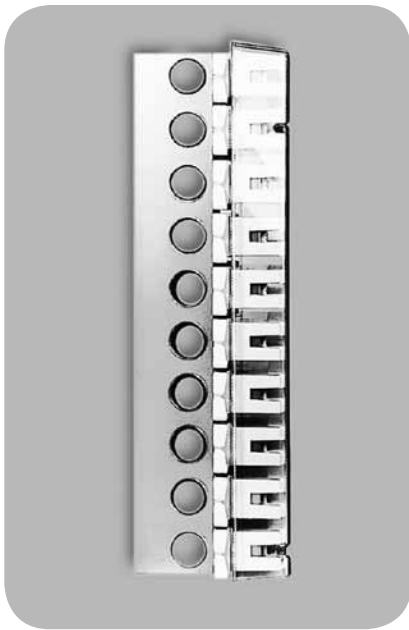


ORDERING INFORMATION

Description	Catalog Number
Back mount frame for Series 2, 10-pair modules, plus 1 additional module or label holder	
Size 1, total of 11 mounting spaces	6092 2 024-01
Size 2, total of 6 mounting spaces	6042 2 001-00

LSA-PLUS® and LSA PROFIL® Modules

Dust Cover



FEATURES & BENEFITS

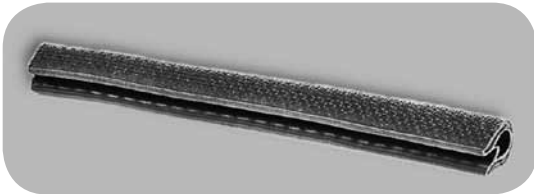
- Transparent cover protects LSA-PLUS® Series 2, 10-pair modules from dust and accidental disturbance of terminated cable
- The deeper version allows installation of overvoltage protection magazine

ORDERING INFORMATION

Description	Catalog Number
Shallow dust cover	
100 pairs	6092 3 016-00
50 pairs	6092 3 016-01
10 pairs Note: if more than 1 cover is used, module spacing must be greater than 22.5mm	6089 2 097-00
Deep dust cover. Allows installation of overvoltage protection magazine	
100 pairs	6092 3 034-10
50 pairs	6092 3 034-11

LSA-PLUS® and LSA PROFIL® Modules

Mounting accessories for Back Mount Frames

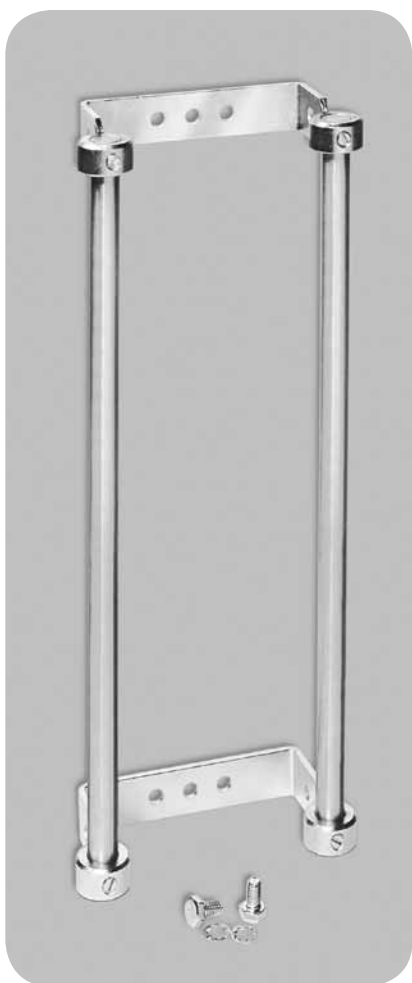


ORDERING INFORMATION

Description	Catalog Number
Cable clamp kit for Series 2 cable head back mount frame Includes 4 clamps, 1 sheath contact screws, 1 clip	6092 2 017-00
Edge protection strip. Placed over unused positions in back mount frame	
120mm	6092 3 017-00
60mm	6092 3 017-01
Cable protection rings for 15mm diameter cables. Mount on rear of back mount frame to protect cable insulation	6050 3 044-00

LSA-PLUS® and LSA PROFIL® Modules

Profile Rod Frames



FEATURES & BENEFITS

- Profile frame consists of 2 stainless steel profile rods, each 12mm in diameter and profile holders 46mm in depth
- Profile rod frame with 95mm distance between rods accommodates:
 - Series 2, 10-pair LSA PROFIL modules
 - Series 2, 8-pair LSA PROFIL modules
 - NT, 10-pair LSA PROFIL modules
 - HighBand® modules
 - HD 180 modules
- Profile rod frame with 75mm distance between rods accommodates:
 - Series 2, 8-pair LSA PROFIL modules
 - NT, 8-pair LSA PROFIL modules
 - Series 10 LSA PROFIL modules

ORDERING INFORMATION

Description	HD 180	Series 2	Length of rods (mm)	Number of profile rod holders included	Catalog Number
Profile rod frame with 95mm distance between rods. Number of modules accommodated	20	12	299	2	6577 2 812-01
	40	24	574	2	6577 2 812-02
	60	36	861	3	6577 2 812-03
	80	48	1136	3	6577 2 812-04
	100	60	1423	4	6577 2 812-05
	120	72	1698	4	6577 2 812-06
Profile rod frame with 75mm distance between rods. Number of modules accommodated	-	12	299	2	6577 2 812-11
	-	24	574	2	6577 2 812-12
	-	36	861	3	6577 2 812-13

LSA-PLUS® and LSA PROFIL® Modules

Individual Profile Rods and Rod Holders

FEATURES & BENEFITS

- Individual rods and rod holders may be ordered to construct a custom, modular frame
- Rod holders with a depth of 86mm are available: deeper profile frames are used when cable support elements and cable guides are used
- All profile holders accept 12mm diameter profile rods
- One profile holder should be placed for each 500mm of profile rod

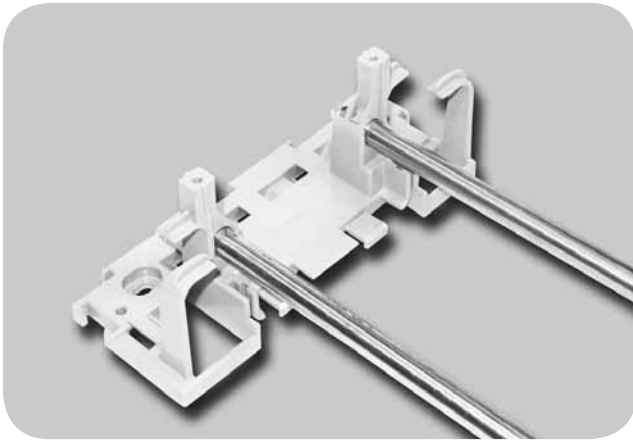


ORDERING INFORMATION

Description	Length of rods (mm)	Catalog Number
Profile rod holder		
Installation depth: 46mm		
Rod distance: 95mm		6577 2 834-00
Rod distance: 75mm		6577 2 834-01
Installation depth: 86mm		
Rod distance: 95mm		6577 2 860-00
Rod distance: 75mm		6577 2 860-01
Installation depth: 190mm		
Rod distance: 95mm		6577 2 844-00
Installation depth: 140mm		
Rod distance: 95mm		6577 2 868-00
Profile rod		
Diameter: 12mm steel, unthreaded ends Maximum number of Series 2 modules		
12	299	6577 3 835-01
18	447	6577 3 835-25
24	574	6577 3 835-02
33	750	6577 3 835-16
34	861	6577 3 835-03
48	1136	6577 3 835-04
55	1260	6577 3 835-08
60	1423	6577 3 835-05
72	1698	6577 3 835-06
76	1800	6577 3 835-07
88	2000	6577 3 835-14
100	2450	6577 3 835-21

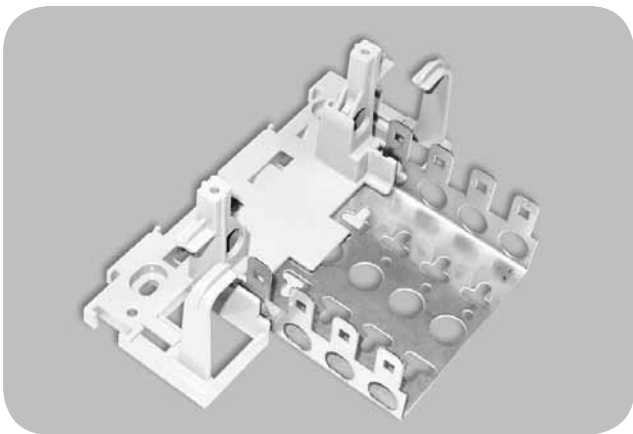
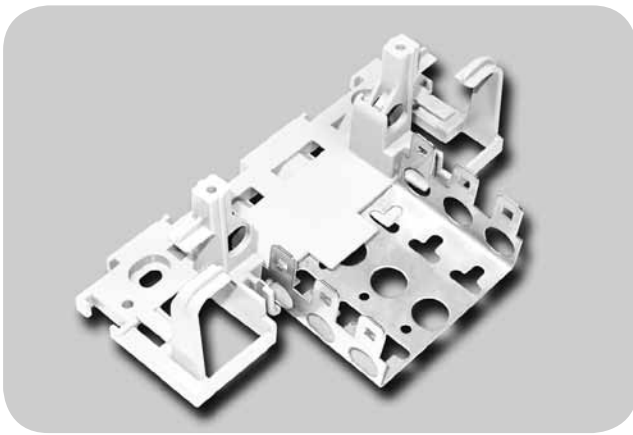
Mounting Accessories

Mounting Adapter



FEATURES & BENEFITS

- Used for installation of small to medium indoor distributors
- Permits wall mounting of back mount frames or profile rods (95mm distance between poles)
- Snap-on feature allows additional adapters to be installed either vertically or horizontally

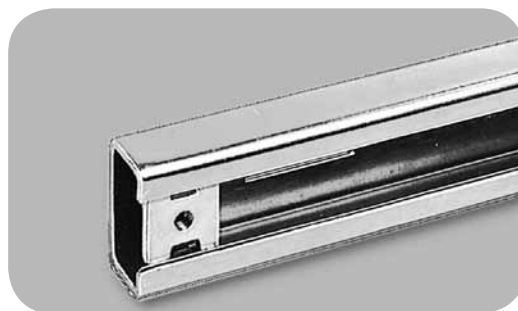
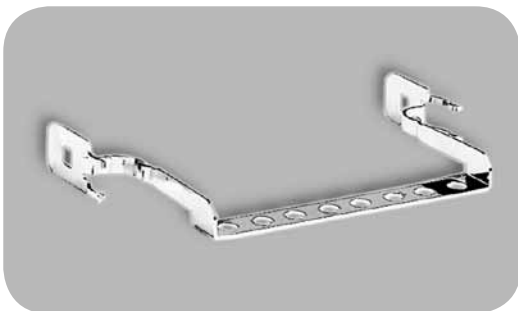
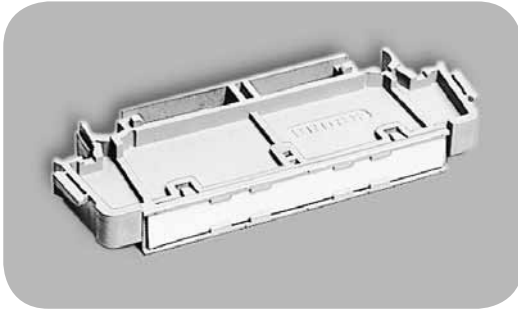
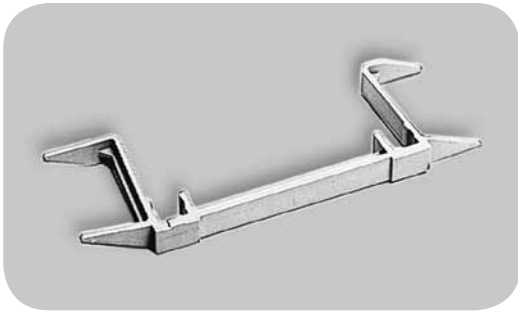


ORDERING INFORMATION

Description	Dimensions (H x W x D)	Catalog Number
LSA-PLUS, LSA PROFIL mounting adapter Features 3 locations for cable attachment, 2 jumper guides, 2 mounting holes. Mounting hardware must be ordered separately	76mm x 195mm x 75mm	6455 3 027-00

Mounting Accessories

Profile Rod Installation Accessories



Mounting Accessories

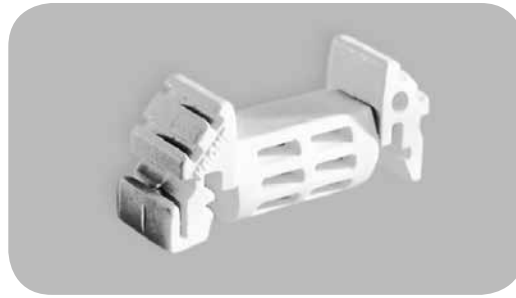
Profile Rod Installation Accessories

ORDERING INFORMATION

Description	Dimensions (H x W x D)	Catalog Number
Profile rod accessories		
Bar bracket For profile rods distance: 95mm Suitable for use with profile rods with M5 threaded rod Quantity: 2	50mm x 154mm x 44mm	6619 2 025-00
Jumper hooks Snap onto bar bracket Distance between hooks: 120mm Quantity: 4	Depth: 93mm	6619 2 031-00
Jumper guide Snaps onto profile rod Recommended spacing between frames: >60mm Quantity: 2	10mm x 45mm	6619 2 016-00
End unit Snaps on to top or bottom of profile rod installation of 10-pair modules. Also allows installation of a dust cover (requires 2 end units)		
63mm deep, with spring clip Recommended for use with dust cover Quantity: 2		6619 2 023-00
41mm deep, with spring clip Recommended for use with dust cover Quantity: 2		6619 2 030-00
41mm deep, without spring clip Quantity: 1		6619 2 018-00
Spacer Used to create uniform spacing in profile rod installations		
	Height: 2.5mm	6619 2 046-00
	Height: 5mm	6619 2 046-01
Cable support bracket For Series 2, 10-pair profile rod installations with distance between rods of 95mm		
With tabs for overvoltage protection	Depth: 35mm	6619 2 040-00
With drain wire clamp		6619 1 012-00
Without drain wire clamp		6619 3 073-00
Earthing clamp For wire diameters up to 5mm Mounts on profile rods. Includes screw and assembly instructions Quantity: 1		6619 2 016-00
Earthing contact clip Provides surge-current-proof earth connection between LSAS PROFIL distribution frames and overvoltage protection components. 2 clips required for each LSA PROFIL module Quantity: 20		6089 3 202-00

Mounting Accessories

DIN Rail Adapter

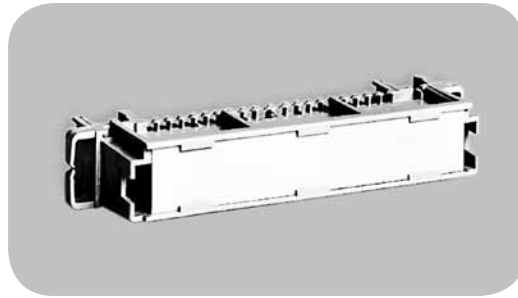
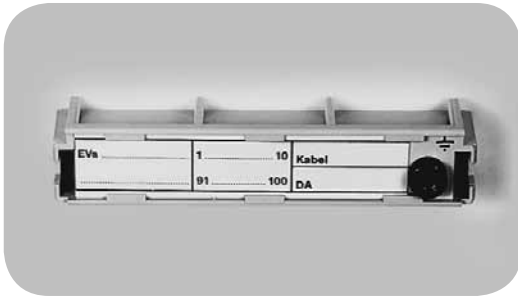


ORDERING INFORMATION

Description	Catalog Number
DIN Rail adapter used to secure 35mm high LSA PROFIL modules onto DIN rails (DIN 50022) Quantity: 10	6461 2 013-00
Protective Cover Strip for Series 2 10-pair Modules	
Protective cover For Series 2 modules Protects cable leads or jumper wires; designed to break when attempt is made to remove it	
Gray	6089 3 050-00
Red	6089 3 050-10

Labelling Accessories

Label Holder Module

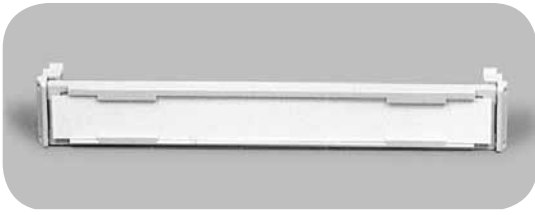


ORDERING INFORMATION

Description	Dimensions (H x W x D)	Catalog Number
Label holder module for back mount frames Used for row identification Mounts in first or last position of back mount frame. Occupies space of one Series 2, 8- or 10-pair connection module Quantity: 1		
8-pair module	75mm x 13.2mm	6036 2 018-00
10-pair modules		
Blank	95mm x 25mm	6092 2 012-01
Printed	95mm x 17.9mm	6092 2 012-00
Blank	95mm x 17.9mm	6092 2 012-02
Blank, with earth socket	63mm x 17.9mm	6092 2 028-02
PROFIL-mount label holder		
8-pair module, 75mm profile rod spacing	75mm x 18mm	6753 2 008-00
10-pair module, 95mm profile rod spacing	95mm x 18mm	6753 2 009-00

Labelling Accessories

Hinged Label Holder

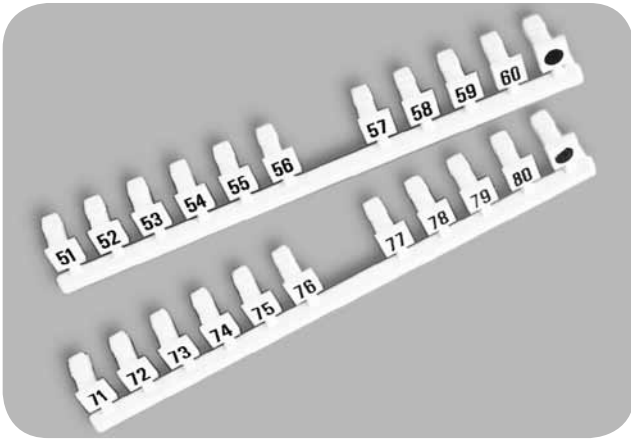


ORDERING INFORMATION

Description	Dimensions (H x W x D)	Catalog Number
Hinged label holder Snaps onto LSA-PLUS and LSA PROFIL Series 2, 8- or 10-pair modules, as well as overvoltage magazines. Transparent cover and paper label. Blank Quantity: 1		
8-pair modules	83.3mm x 11.5mm	6036 2 005-02
10-pair modules	102.5mm x 11.5mm	6089 2 015-01

Labelling Accessories

Number Flags for Series 2 Modules



ORDERING INFORMATION

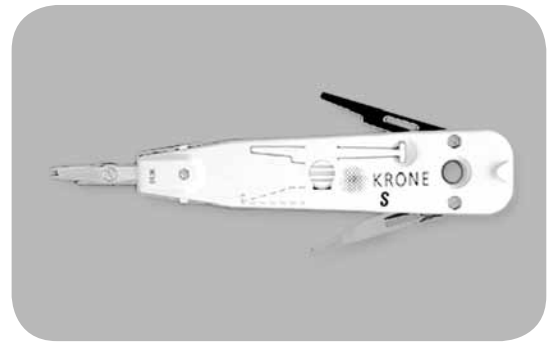
Color	Numbering	Quantity	Catalog Number
Gray	1.....50	1 piece each number	6089 2 077-00
Gray	51.....120	1 piece each number	6089 2 077-03
Gray	1...0	10 pieces	6089 3 023-00
Gray	10...100	10 pieces	6089 3 023-01
Red	1...0	10 pieces	6089 3 023-10
Gray	1...10	10 pieces	6089 3 023-40
Gray	11...20	10 pieces	6089 3 023-41
Gray	21...30	10 pieces	6089 3 023-42
Gray	31...40	10 pieces	6089 3 023-43
Gray	41...50	10 pieces	6089 3 023-44
Gray	51...60	10 pieces	6089 3 023-45
Gray	61...70	10 pieces	6089 3 023-46
Gray	71...80	10 pieces	6089 3 023-47
Gray	81...90	10 pieces	6089 3 023-48
Gray	91...100	10 pieces	6089 3 023-49

Insertion Tools

LSA-PLUS® Insertion Tools

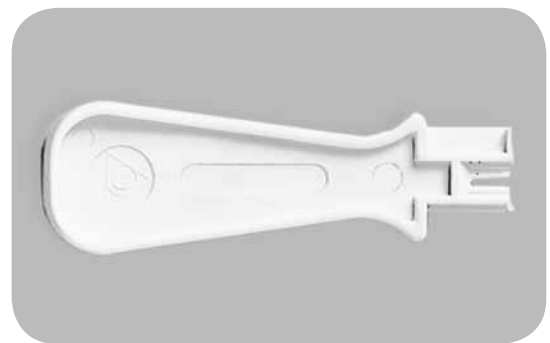
Insertion Tool with Sensor

- Used with all LSA-PLUS® modules, as well as with RJ5 jacks and HighBand® modules
- For termination of wires with conductor diameter range 0.35 to 0.9mm; overall diameter range 0.7 to 2.6mm
- Features a sensor that detects the end of a wire when a termination has been completed. This feature is deactivated when a second lead is terminated in a contact
- Scissors can be deactivated so that jumper can be through-connected to neighboring contacts
- Service life
 - 0.4mm wire: 200,000 connections
 - 0.6mm wire: 100,000 connections
 - 0.8mm wire: 50,000 connections
- Also features cutting inhibitor clip, extraction hook and blade



Simple Insertion Tool

- Used with all LSA-PLUS® modules, as well as with RJ5 jacks and HighBand® modules
- For termination of wires with conductor diameter range from 0.35 to 0.9mm; overall diameter range 0.65 to 2.6mm
- No scissors mechanism



ORDERING INFORMATION

Description	Catalog Number
LSA-PLUS® insertion tool with sensor	6417 2 055-01
LSA-PLUS® simple insertion tool	6417 1 830-00

LSA-PLUS® and LSA PROFIL® Series 2 Modules

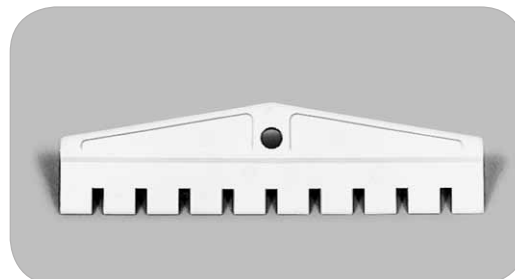
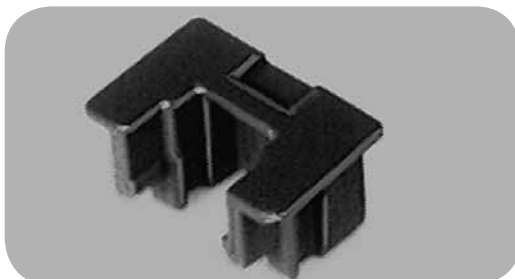
Accessories: Plugs and Cords

ORDERING INFORMATION

Description	Catalog Number
Marking cap 1-pair. Used for identification of connections Minimum order quantity: 100	6089 3 006-XX*
Dummy plug 1-pair. With marking area for identification of lines. Used to prevent access to connection modules or disconnection of disconnection modules Minimum order quantity: 100	6417 3 105-XX*
3-pole, with extraction ring. Used for identification of lines and to prevent disconnection of Series 2 6-pair and 8-pair with shielding Minimum order quantity: 100 Color:	6417 3 101-XX*
Disconnection plug 1-pair. Used to interrupt connections in disconnection modules and test adapters Minimum order quantity: 100	6089 3 055-XX*
3-pole. Used to interrupt lines in Series 2 6-pair and 8-pair disconnection modules with shielding Minimum order quantity: 100	6417 3 100-XX*
10-pair. Used to interrupt 10 pairs at one time in disconnection modules Minimum order quantity: 1 Color: Gray	6089 3 130-01
8-pair. Used to interrupt 8 pairs at one time in disconnection modules Minimum order quantity: 1 Color: Gray	6418 1 811-00

*For color, replace XX with:

Red	00
White	01
Green	02
Yellow	03
Gray	04
Black	05
Brown	06
Blue	07

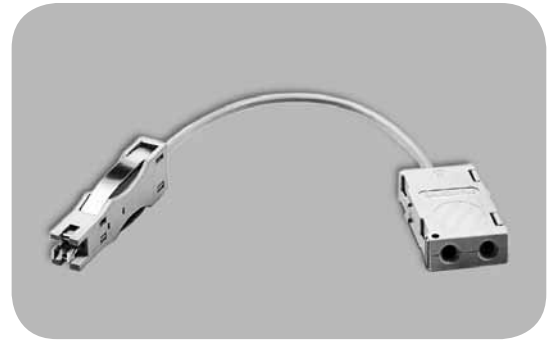


LSA-PLUS® and LSA PROFIL® Series 2 Modules

Accessories: Plugs and Cords

Test Cord

The two-pole test cord features a 4mm double socket and can be used for almost all LSA-PLUS systems, including NT modules, Series 2, Series 8 or Series 10 modules, as well as two- to eight-pole PCB modules. The cord is used whenever the module's existing test access is already occupied by another plug (such as changeover adapters and/or disconnection adapters) or when a module has no special test access. The spring test contacts connect directly to the wired LSA-PLUS contact. Clamping ribs within the LSA-PLUS contact slot ensure that test plugs are securely retained.



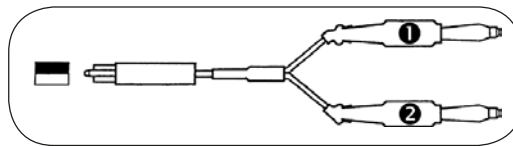
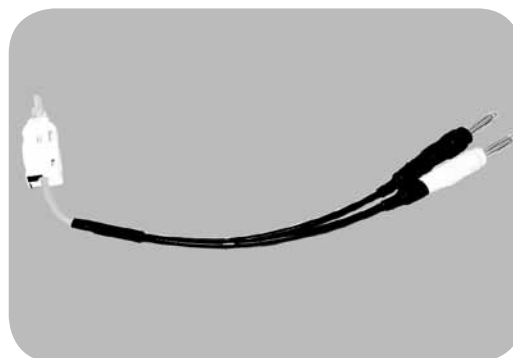
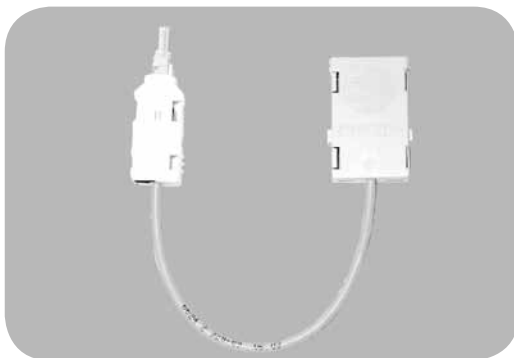
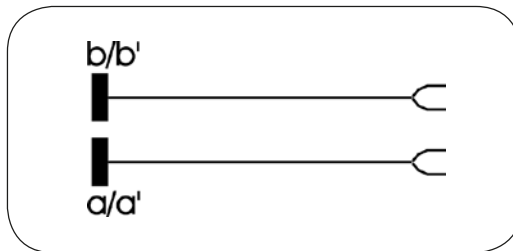
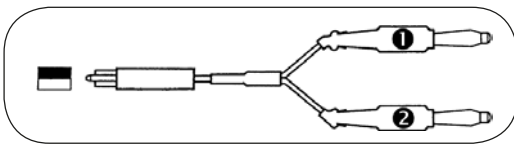
ORDERING INFORMATION

Description	Catalog Number
2-pole test cord Length: 130mm	6089 2 141-00

LSA-PLUS® and LSA PROFIL® Series 2 Modules

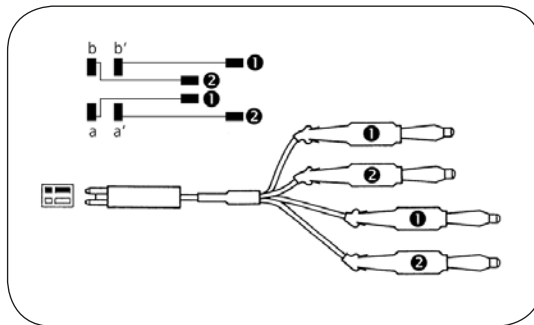
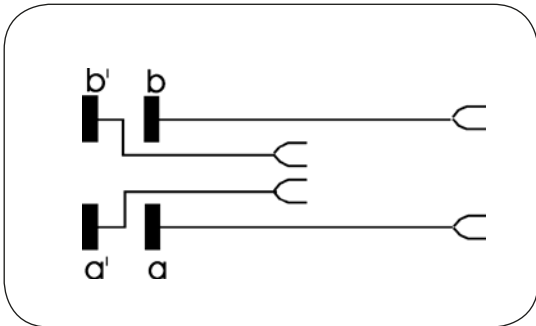
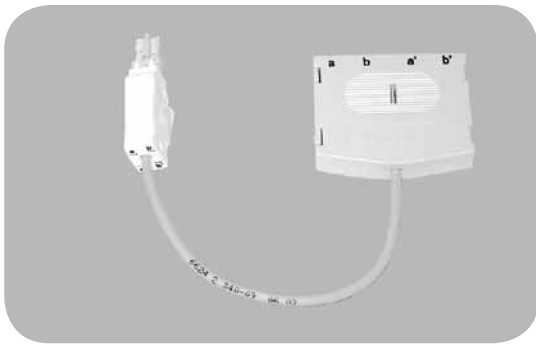
Accessories: Plugs and Cords

Test Cords



LSA-PLUS® and LSA PROFIL® Series 2 Modules

Accessories: Plugs and Cords



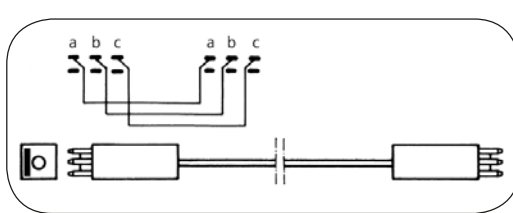
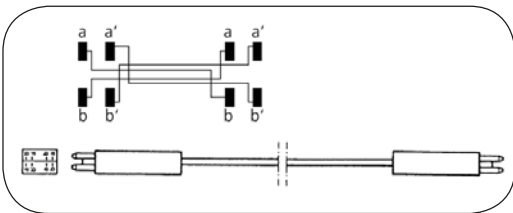
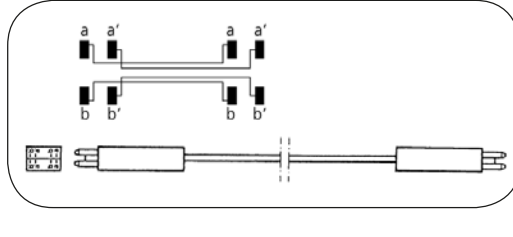
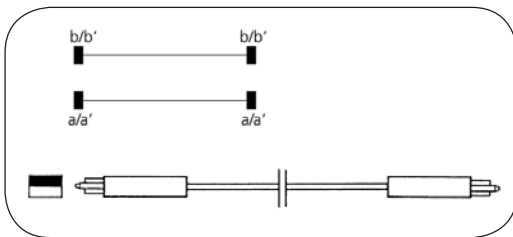
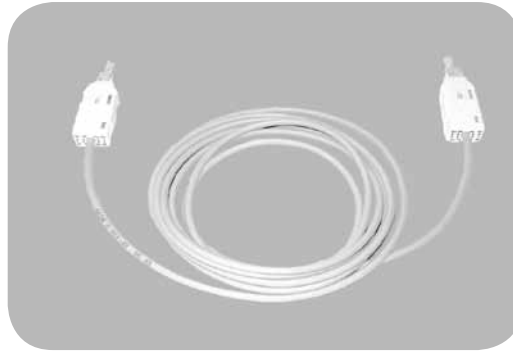
ORDERING INFORMATION

Description	Catalog Number
2-pole test cords	
For use with LSA-PLUS and LSA-PROFIL modules	
1 LSA-PLUS plug, (2) 4mm banana plugs	
2.0 m	6624 2 061-02
6.0 m	6624 2 061-06
1 LSA-PLUS plug, (2) 4mm banana sockets	
0.20 m	6624 2 040-09
2.0 m	6624 2 040-02
2-pole test cords 1 side access with disconnection function	
For use with LSA-PLUS or LSA PROFIL disconnection modules	
1 LSA-PLUS plug, (2) 4mm banana plugs	
2.0 m	6624 2 521-02
6.0 m	6624 2 521-06
1 LSA-PLUS plug and (2) 4mm banana plug sockets	
0.20 m	6624 2 320-09
2.0 m	6624 2 320-02
4-pole test cord with disconnection function	
For use with LSA-PLUS or LSA PROFIL disconnection modules	
1 LSA-PLUS plug and (4) 4mm banana plugs	
2.0 m	6624 2 541-02
6.0 m	6624 2 541-06
1 LSA-PLUS plug, (4) 4mm banana plug sockets	
0.20 m	6624 2 340-09
6.0 m	6624 2 340-06

LSA-PLUS® and LSA PROFIL® Series 2 Modules

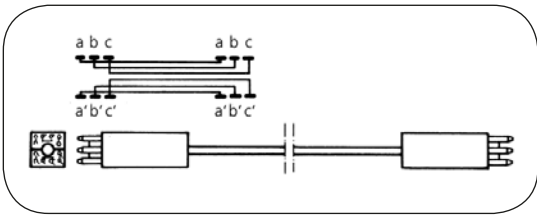
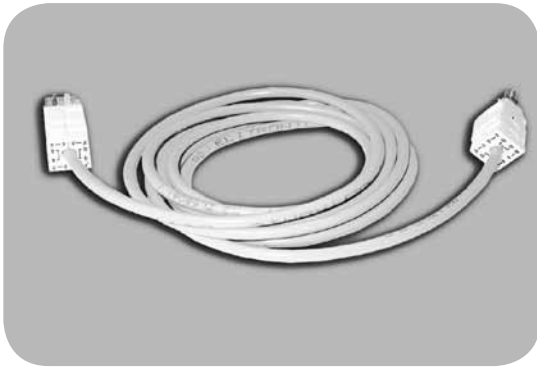
Accessories: Plugs and Cords

Connection Cords



LSA-PLUS® and LSA PROFIL® Connection Modules

Series 2 Eight- and Ten-Pair Modules

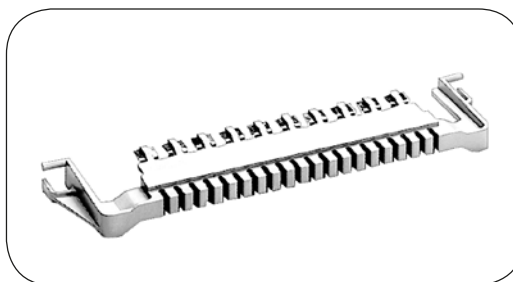
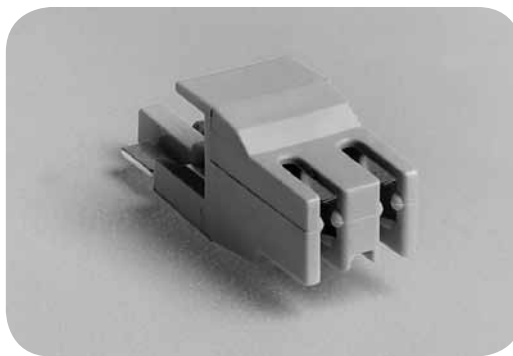
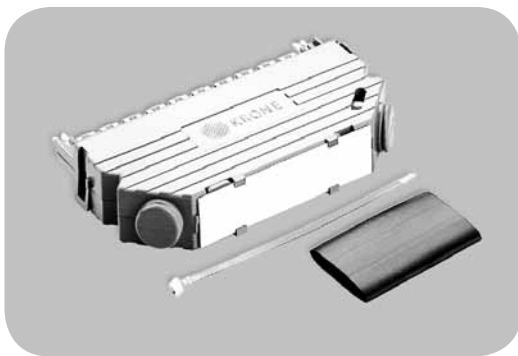


ORDERING INFORMATION

Description	Catalog Number
2-pole connection cord For parallel connections. Features (2) 2-pole plugs	
2.0 m	6624 2 081-02
6.0 m	6624 2 081-06
4-pole connection cord with disconnection function For use with LSA-PLUS and LSA PROFIL disconnection modules. Features (2) 4-pole plugs, with a/a and b/ cross-connected	
2.0 m	6624 2 821-02
6.0 m	6624 2 821-06
3-pole connection cord with disconnection function For use with LSA-PLUS and LSA PROFIL disconnection 6- and 8-pair modules with shielding. Features (2) 3-pole plugs, with abc and abc cross-connected	
2.0 m	6626 2 801-02
6.0 m	6626 2 801-06
6-pole connection cord with disconnection function For use with LSA-PLUS and LSA PROFIL disconnection 6- and 8-pair modules with shielding. Features (2) 6-pole plugs, with 1:1 wiring	
2.0 m	6626 2 901-02

LSA-PLUS® and LSA PROFIL® Connection Modules

Series 2 Eight- and Ten-Pair Modules



ORDERING INFORMATION

Description	Catalog Number
<p>10-pair, 40-pole plug with PCB insert For use with 10-pair LSA-PLUS and LSA PROFIL disconnection or switching modules. For use with AWG 28 to AWG 24 stranded wire, cable diameter up to 12mm</p> <p>Includes:</p> <ul style="list-style-type: none"> • Release device (Catalog number 6089 1 251-00) • Cable ties for strain relief • 2 feed-in possibilities • Separate earth contact • Plastic label: 71 x 18mm 	6697 1 002-10
<p>10-pair release device For use with the 10-pair, 40-pole plug with PCB, or 8- and 10-pair overvoltage protection magazine. Includes 18 x 6,5mm label</p>	6089 1 251-00
<p>Disconnection adapter Opens jumpered line and accesses the line from one side</p>	
1-pair	6089 2 098-00
10-pair, printed 1...0	6089 2 099-00
<p>Changeover adapter For interruption-free changeover of wiring on connection and disconnection modules</p>	
1-pair	6089 2 093-00
10-pair, without printing	6089 2 081-01
10-pair, printed 1...0	6089 2 081-02

TE Connectivity and TE connectivity (logo) are trademarks. Other logos, product and/or Company names might be trademarks of their respective owners

While Tyco Electronics has made every reasonable effort to ensure the accuracy of the information in this document, Tyco Electronics does not guarantee that it is error-free, nor does Tyco Electronics make any other representation, warranty or guarantee that the information is accurate, correct, reliable or current. Tyco Electronics reserves the right to make any adjustments to the information contained herein at any time without notice. Tyco Electronics expressly disclaims all implied warranties regarding the information contained herein, including, but not limited to, any implied warranties of merchantability or fitness for a particular purpose. The dimensions in this document are for reference purposes only and are subject to change without notice. Specifications are subject to change without notice. Consult Tyco Electronics for the latest dimensions and design specifications.

1ST EDITION

Tyco Electronics Ltd.
Rheinstrasse 20
CH-8200 Schaffhausen
Switzerland
Tel: +41 (0)52 633 66 61

www.te.com / www.te.com/adckrone

© 2011 Tyco Electronics Corporation, a TE Connectivity Ltd. Company.
All Rights Reserved.

201621BE Original 8/11 © 2011

