

BNC Connectors (50 ohm/75 ohm)

Product Facts

- Bayonet lock coupling for quick connect/disconnect
- Various connectors available in 50 and 75 ohm versions
- Fully intermateable with comparable BNC UG/U connectors
- Full range of Hex Crimp and O Crimp Products for common coaxial cables.
- Low VSWR
- Single crimp connectors offer one crimping operation for fast application
- Twist-on connectors require no special tooling for application to the cable
- Field serviceable (Category A) connectors qualified to MIL-C-39012
- Field replaceable (Category C) plugs with captivated center contact
- Field replaceable plugs can be terminated with industry standard tooling
- Tarnish resistant Nickel finish available
- Choice of different dielectrics
- Listed under the Component Program of Underwriters Laboratories Inc., File No. E81956 
- PC Board soldered connectors are recognized under the Component Program of Underwriters Laboratories Inc., File No. E81956 
- Certified by Canadian Standards Association File No. LR 7189 

Between Series Adapters

For BNC Between Series Adapters, see pages 251-260.



The Tyco Electronics BNC RF connector family with bayonet locking coupling provides highly reliable, quick connect/disconnect coaxial connections. Exclusive single and O crimp terminations allow positive insulation grip and require no soldering, providing terminations at a very low overall applied cost.

Available in both 50 and 75 ohm versions, these con-

nectors feature numerous styles including cable plugs and jacks, adapters and printed circuit board connectors. In addition to a variety of crimp type terminations, connectors are furnished in field replaceable and twist-on styles. These connectors accept a wide range of coaxial cables and are intermateable with industry standard connectors designed to MIL-C-39012 specifications.

Tyco Electronics can also supply low cost alternatives with an extensive commercial type product line. A lower cost consumer series product offers the capability to supply center contacts in strip form and allow for automated center contact crimp technology. All connectors are designed around the mil-specifications, but utilize low-cost materials, offering comparable mechanical and electrical performance.

Related Product Data

Product Specifications —

- 108-1275 — BNC Ohm Terminators
- 108-12020 — BNC O Crimp Connectors
- 108-12044 — BNC Commercial Hex Crimp
- 108-12047 — BNC Commercial and Hex Crimp Connectors
- 108-12074 — BNC Solder Jacks
- 108-12075 — BNC Connectors (Category A)
- 108-12078 — BNC Commercial PCB Panel-Mount Jacks

- 108-12002 — BNC Commercial T Adapter
- 108-12095 — BNC Commercial 75 Ohm Connectors
- 108-12096 — BNC Commercial Feed-Thru and Bulkhead Adapters
- 108-12079 — BNC Commercial 50 Ohm Solder Jacks
- 108-12103 — BNC Commercial PCB Press Fit Jacks

Application Specifications —

- 114-12001 — BNC Commercial PCB Jack Press Fit

Performance Specifications —

Page 45

Material Specifications — Page 46

Tooling — Pages 266-268

Military Category — All MIL type O crimp connectors are Category B Type (Tyco Electronics Crimp Tooling), unless otherwise noted.

Packaging — All MIL Type connectors are packaged individually, all O crimp connectors are bulk packaged and all Hex crimp connectors are individually packaged unless otherwise noted.

BNC Connectors (50 ohm/75 ohm) Performance Specifications

| Characteristics | Single Crimp (MIL Type) | Category B O Crimp (MIL Type) | Straight Solder Clamp | Right-Angle Solder Clamp | Commercial O Crimp & Hex Crimp 50 Ohms | Commercial O Crimp & Hex Crimp 75 Ohms | Commercial PC Board 50 & 75 Ohms | Commercial Solder 50 Ohm Jacks |
|---|--|---|--------------------------------|--------------------------------|---|---|---|---|
| Electrical | | | | | | | | |
| Impedance, Nom. (Ohms) | 50 | 50 | 50 | 50 | 50 | 75 | 50 & 75 | 50 & 75 |
| Working Voltage (Volts RMS) | 500 | 500 | 500 | 500 | 500 | 500 | 500 | 500 |
| Contact Resistance (Milliohms) | Inner: 1.5 Outer: 0.3 | Inner: 1.5 Outer: 0.2 | Inner: 1.5 Outer: .20 | Inner: 1.5 Outer: .20 | Inner: 2.0 Outer: 1.0 | Inner: 2.0 Outer: 2.0 | Inner: 6/1.5 Outer: 3/0.2 | Inner: 2.75 Outer: 1.0 |
| Initial Insulation Resistance (Megohms) | 5000 | 5000 | 5000 | 5000 | 5000 | 5000 | 5000 | 5000 |
| Dielectric Withstanding Voltage (VAC) | 1500 | 1500 | 1500 | 1500 | 1500 | 1500 | 1500 | 1500 |
| Corona Level at 70,000 ft. (Volts, RMS) | 375 | 375 | 375 | 375 | 375 | 375 | — | 375 |
| RF Leakage, Max. (dB) | — | -55 at 2-3 GHz | -55 at 2-3 GHz | -55 at 2-3 GHz | -55 at 2-3 GHz | -55 at 1-2 GHz | — | — |
| RF Insertion Loss, Max. (dB) | — | 0.2 at 3 GHz | 0.2 at 3 GHz | 0.3 at 3 GHz | 0.2 at 3 GHz | 0.15 at 2 GHz | — | — |
| Frequency Range (GHz) | 0-2.5 | 0-4 | 0-4 | 0-4 | 0-4 | 0-2 | 0-4 and 0-2 | 0-4 |
| VSWR in Frequency Range Max. | 1.35 | 1.30 | 1.30 | 1.35 | 1.30 | 1.30 | — | — |
| Mechanical | | | | | | | | |
| Force to Engage (lbs. [N])/couple, (in-lbs. [N·m]) max. | 13.3/11.12 [3/2.5] | 13.3/11.12 [3/2.5] | 13.3/.028 [3/2.5] | 13.3/.028 [3/2.5] | 26.7/26.69 [6/6.0] | 26.7/26.69 [6/6.0] | — | — |
| Coupling Nut Retention, Min. N [lbs.] | 444.8 [100] | 444.8 [100] | 444.8 [100] | 444.8 [100] | 266.9 [60] | 266.9 [60] | — | — |
| Cable Retention, N [lbs.] | 266.9 [60] (RG58C/U) | 266.9 [60] (RG58C/U) | 177.9 [40] (RG58C/U) | 177.9 [40] (RG58C/U) | 266.9 [60] (RG58C/U) | 266.9 [60] (RG58C/U) | 266.9 [60] (PCB Ret) | — |
| Durability (Cycles) | 500 | 500 | 500 | 500 | 500 | 500 | 500 | 500 |
| Jam Nut Mounting Torque, Max. [N·m] (in. lbs.) | 25 [2.8] | 25 [2.8] | 25 [2.8] | — | 25 [2.8] | 25 [2.8] | 25 ³ /12 ⁴ [2.8/1.4] | 25 [2.8] |
| Environmental | | | | | | | | |
| Temperature Range, Operating (C°) | -65 to +85 | -65 to +165 ¹ -55 to +85 ² | -65 to +165 | -65 to +165 | -55 to +85 | -55 to +85 | -55 to +85 | -65 to +165 |
| Vibration | MIL-STD-202 Method 204 Cond. B | MIL-STD-202 Method 204 Cond. B | MIL-STD-202 Method 204 Cond. B | MIL-STD-202 Method 204 Cond. B | MIL-STD-1344 Method 2005 Cond. III | MIL-STD-202 Method 204 Cond. B | MIL-STD-202 Method 201A | MIL-STD-202 Method 204 Cond. B |
| Physical Shock | MIL-STD-202 Method 213 Cond. G, 50 G's | MIL-STD-202 Method 213 Cond. G, 50 G's | MIL-STD-202 Method 213 Cond. G | MIL-STD-202 Method 213 Cond. G | MIL-STD-1344 Method 2004 Cond. G, 100 G's | MIL-STD-202 Method 213 Cond. I, 100 G's | MIL-STD-202 Method 213 Cond. I or A, 50 G's | MIL-STD-202 Method 213 Cond. I, 100 G's |
| Thermal Shock | MIL-STD-202 Method 107 | MIL-STD-202 Method 107 | MIL-STD-202 Method 107 | MIL-STD-202 Method 107 | MIL-STD-1344 Method 1003 Cond. A | MIL-STD-202 Method 107 | MIL-STD-202 Method 107 | MIL-STD-202 Method 107 |
| Moisture Resistance | MIL-STD-202 Method 106 | MIL-STD-202 Method 106 | MIL-STD-202 Method 106 | MIL-STD-202 Method 106 | MIL-STD-1344 Method 1002 Type II | MIL-STD-202 Method 106 | MIL-STD-202 Method 106 | MIL-STD-202 Method 106 |
| Salt Spray | MIL-STD-202 Method 101 Cond. B | MIL-STD-202 Method 101 Cond. B | MIL-STD-202 Method 101 Cond. B | MIL-STD-202 Method 101 Cond. B | MIL-STD-1344 Method 1001 Cond. B | MIL-STD-202 Method 101 Cond. B | MIL-STD-202 Method 101 Cond. B | MIL-STD-202 Method 101 Cond. B |
| Product Specification | 108-12002 | 108-12020 | — | — | 108-12044 108-12047 | 108-12095 | 108-12078 | 108-12079 |

¹Assembled to cable with polytetrafluorethylene dielectric.

²Assembled to cable with polyethylene dielectric.

³For Metal Threads

⁴For Polyester Threads

BNC Connectors (50 ohm/75 ohm) Performance Specifications (Continued)

| Connector Component | Single Crimp (MIL Type) | Category B & C O Crimp (MIL Type) | Straight Solder Clamp | Right-Angle Solder Clamp | Commercial O Crimp Hex Crimp & Terminators | Commercial PCB Solder | Commercial PCB Press Fit | Commercial Solder Ohm Jacks | Adapters |
|---|--|---|--------------------------|--------------------------|---|--|--------------------------|--|---|
| Connector Material | | | | | | | | | |
| Collar | Brass QQ-B-626 | Brass QQ-B-626 | Brass | Brass | Brass QQ-B-626 Zinc QQ-Z-363 | — | — | — | Brass QQ-B-626 |
| Outer Contact (Plug) | Brass QQ-B-626 Beryl. Copper QQ-C-530 | Phos. Bronze QQ-B-750 | Brass | Brass | Brass MIL-C-21768 | — | — | — | Brass QQ-B-626 Beryl. Copper QQ-C-530 |
| Shell (Jack) | Brass QQ-B-626 | Brass QQ-B-626 | Brass | — | Zinc QQ-Z-363 | Zinc QQ-Z-363 | Zinc Zinc QQ-Z-363 | QQ-Z-363 Brass QQ-B-626 | Brass QQ-B-626 |
| Dielectric | TEFLON MIL-P-19468 Polypropylene Gen. Purpose | TEFLON MIL-P-19468 | TEFLON | TEFLON | Polyethylene Polypropylene Polymethylpentene Gen. Purpose | Polymethylpentene Gen. Purpose ¹ | TEFLON MIL-P-19468 | TEFLON MIL-P-19468 Polyester PBT MIL-P-24519 | TEFLON MIL-P-19468 Polypropylene, Gen. Purpose |
| Center Contact (Plug) | Brass QQ-B-626 | Brass QQ-B-626 | Brass | Brass | Brass QQ-B-626 | — | — | — | Brass QQ-B-626 Beryl. Copper QQ-C-530 |
| Center Contact (Jack) | Beryl. Copper ASTM-B-643 QQ-C-530 | Beryl. Copper ASTM-B-643 QQ-C-530 | Beryl. Copper | Beryl. Copper | Beryl. Copper QQ-C-530 | Phos. Bronze QQ-B-750 | Beryl. Copper QQ-C-530 | Phos. Bronze QQ-B-570 Beryl. Copper QQ-C-530 | Phos. Bronze QQ-B-570 Beryl. Copper QQ-C-530 |
| Gasket | Silicon Rubber QQ-R-765 | Silicon Rubber QQ-R-765 | Silicon Rubber | Silicon Rubber | Silicon Rubber QQ-R-765 | — | — | — | Silicon Rubber QQ-R-765 |
| Ferrule | Copper QQ-C-576 | Copper QQ-C-576 | — | — | Copper QQ-C-576 | — | — | — | — |
| Connector Primary Finishes² | | | | | | | | | |
| Collar | Silver QQ-S-365 Bright Nickel QQ-N-290 | Silver QQ-S-365 Bright Nickel QQ-N-290 | Silver/ Bright Nickel | Silver/ Bright Nickel | Bright Nickel QQ-N-290 | — | — | — | Silver QQ-S-365 Bright Nickel QQ-N-290 |
| Outer Contacts (Plug & Jack) | QQ-S-365 Gold | Silver QQ-S-365 Bright Nickel QQ-N-290 | Silver/ Bright Nickel | Silver/ Bright Nickel | Bright or Matte Nickel QQ-N-290 | Bright Nickel QQ-N-290 | Bright Nickel QQ-N-290 | Bright Nickel QQ-N-290 | Silver QQ-S-365 Bright Nickel QQ-N-290 |
| Center Contacts (Plug & Jack) | MIL-G-45204 Silver | Gold MIL-G-45204 | Gold | Gold | Tin Lead ASTM-B-545 Silver, QQ-S-365 Gold, MIL-G-45204 | Tin Lead ASTM-B-545 Silver, QQ-S-365 Gold, MIL-G-45204 | Gold MIL-B-45204 | Tin Lead ASTM-B-545 Silver, QQ-S-365 Gold, MIL-G-45204 | Silver QQ-S-365 Gold MIL-G-45204 |
| Ferrule ³ | QQ-S-365 | Silver QQ-S-365 Tin Lead ASTM-B-545 | — | — | Tin Lead ASTM-B-545 | — | — | — | — |

¹Several pc board connectors have an outer polyester PBT insulator per MIL-P-24519.

²If more than one finish is listed, refer to individual catalog page(s) or customer drawings for exact specification.

³Ferrules with tin-lead finish are used with nickel plated outer contacts.

TEFLON is a trademark of E.I. Dupont de Nemours and Company.

BNC Connectors, 50 Ohm

Plugs, Crimp

Single Crimp



Hex and O Crimp



| RG/U Cable | Termination Type | Body Plating | Dielectric | Style | Dim. L | CERTI-CRIMP Hand Tool with Integral Die | Interchangeable Dies for PRO-CRIMPER Hand Tool 354940-1 or PRO-CRIMPER Adapter 679304-1 | Interchangeable Dies for Hand Tool 69710-1 & 626 Pneu. Head 318161-1 | Part No. |
|--|------------------|--------------|--------------|------------|-----------------------|---|---|--|--------------------------------|
| 178, 178A, 178B, 196, 196A | Single Crimp | Silver | TEFLON | MIL Type | 33.33 1.312 | 69245-4 | — | 69471 | 5330876 |
| 174, 188, 188A, 316 | Hex Crimp | Nickel | Polyethylene | Commercial | 33.53 1.320 | — | 58436-3 | — | 2-5221128-1 |
| | O Crimp | Nickel | Polyethylene | Commercial | 27.69 1.090 | 220009-5 | 318450-2 | 220217-3 | 1-5227079-6 |
| | O Crimp | Nickel | TEFLON | MIL Type | 30.18 1.188 | — | 1424050-1 | 220026-1 | 5225395-7 |
| | Single Crimp | Silver | TEFLON | MIL Type | 33.33 1.312 | 69245-2 | — | 69422 | 2-5330061-1 |
| 179, 179A, 179B, 161, 187, 187A, BELDEN 9221 | Hex Crimp | Nickel | Polyethylene | Commercial | 33.53 1.320 | — | 58436-3 | — | 2-5221128-3 |
| | O Crimp | Nickel | Polyethylene | Commercial | 27.69 1.090 | — | 1424050-1 | 220217-3 | 2-5227079-2 |
| | O Crimp | Nickel | TEFLON | MIL Type | 30.18 1.188 | — | — | 220026-1 | 5225395-8 |
| | Single Crimp | Silver | TEFLON | MIL Type | 33.33 1.312 | — | 91910-1 | 69408 | 2-5329446-1 |
| RD 316, 188, Double Braid | O Crimp | Nickel | Polyethylene | Commercial | 27.69 1.090 | 69477-4 | 58539-1 | — | 8-5227079-2 |
| BELDEN 8219 | Hex Crimp | Nickel | Polyethylene | Commercial | 33.53 1.320 | — | 58436-1 ² | — | 2-5221128-7 |
| | O Crimp | Nickel | Polyethylene | Commercial | 27.69 1.090 | 220187-1 | 58435-1 ¹ | 220217-1 | 6-5227079-7³ |
| BELDEN 9907, 89907 COMM/SCOPE 2104 | O Crimp | Nickel | Polyethylene | Commercial | 27.69 1.090 | 220187-1 | 318452-2 | 220217-1 | 6-5227079-8⁴ |
| BELDEN 8218 | O Crimp | Nickel | Polyethylene | Commercial | 27.69 1.090 | 69477-4 | 58539-1 | 58376-1 | 1-5227079-9 |
| | O Crimp | Nickel | TEFLON | MIL Type | 30.18 1.188 | — | 91904-1 | 69669-2 | 1-5225395-0 |

¹Order Tyco Electronics PRO-CRIMPER Coaxial "O" Crimp Hand Tool assembly 58433-1, which includes dies 58435-1.
²Order Tyco Electronics PRO-CRIMPER Coaxial Hex Crimp Hand Tool assembly 58433-2, which includes dies 58436-1.
³For use with BELDEN 9907 cable, COMM/SCOPE 3104 cable, and BELDEN 8219 cable only.
⁴For use with BELDEN 89907 cable, and COMM/SCOPE 2104 cable only.

BELDEN is a trademark of Belden Wire and Cable Company.
 COMM/SCOPE is a trademark of Commscope, Inc.
 TEFLON is a trademark of E.I. Dupont de Nemours and Company.

Note: Part Numbers are RoHS compliant except: ♦ Indicates non-RoHS compliant.

BNC Connectors, 50 Ohm (Continued)
Plugs, Crimp (Continued)
Single Crimp

Hex and O Crimp


| RG/U Cable | Termination Type | Body Plating | Dielectric | Style | Dim. L | CERTI-CRIMP Hand Tool with Integral Die | Interchangeable Dies for PRO-CRIMPER Hand Tool 354940-1 or PRO-CRIMPER Adapter 679304-1 | Interchangeable Dies for Hand Tool 69710-1 & 626 Pneu. Head 318161-1 | Part No. |
|---|------------------|--------------|--------------|------------|-----------------------|---|---|--|--------------------|
| 58, 58A, 58B, 58C | Hex Crimp | Nickel | Polyethylene | Commercial | 33.53 1.320 | — | 58436-12 | — | 5221128-13 |
| | O Crimp | Nickel | Polyethylene | Commercial | 27.69 1.090 | 220187-1 | 58435-11 | 220217-1 | 5227079-5 |
| | O Crimp | Nickel | TEFLON | MIL Type | 33.74 1.328 | 69478-1 | 220189-3 | 69727 | 5225395-1 |
| | Single Crimp | Silver | TEFLON | MIL Type | 33.33 1.312 | — | 91904-4 | 69223-1 | 2-5329444-1 |
| BELDEN 88240, BERK-TEK BTDC-58, COMM/SCOPE 2135 | Hex Crimp | Nickel | Polyethylene | Commercial | 33.53 1.320 | — | 58436-12 | — | 1-5221128-0 |
| | O Crimp | Nickel | Polyethylene | Commercial | 33.33 1.312 | 220187-1 | 58435-11 | 220217-1 | 4-5227079-3 |
| | O Crimp | Nickel | TEFLON | MIL Type | 33.33 1.312 | 69478-1 | 220189-3 | 69727 | 4-5225395-2 |
| 223, 55, 55A, 55B | O Crimp | Nickel | Polyethylene | Commercial | 27.69 1.280 | 220187-1 | 58435-11 | 220217-1 | 5227079-6 |
| | O Crimp | Nickel | TEFLON | MIL Type | 43.64 1.718 | 69478-1 | 220189-3 | 69727 | 5225395-3 |
| | Single Crimp | Silver | TEFLON | MIL Type | 33.33 1.312 | — | 91904-3 | 69424 | 2-5329444-2 |
| 142, 142A, 142B, 400 | O Crimp | Nickel | Polyethylene | Commercial | 27.69 1.090 | 220187-1 | 58435-11 | 220217-1 | 6-5227079-1 |
| | O Crimp | Nickel | TEFLON | MIL Type | 30.18 1.188 | 69478-1 | 220189-3 | 69727 | 5225395-6 |
| | Single Crimp | Silver | TEFLON | MIL Type | 33.33 1.312 | 69331-1 | — | 69429-1 | 2-5330358-2 |

Consult Tyco Electronics for recommended crimp tooling.

¹Order Tyco Electronics PRO-CRIMPER Coaxial "O" Crimp Hand Tool assembly 58433-1, which includes dies 58435-1.

²Order Tyco Electronics PRO-CRIMPER Coaxial Hex Crimp Hand Tool assembly 58433-2, which includes dies 58436-1.

³Bulk packaged.

BELDEN is a trademark of Belden Wire and Cable Company.

BERK-TEK is a trademark of Nexans, Inc.

COMM/SCOPE is a trademark of Commscope, Inc.

TEFLON is a trademark of E.I. Dupont de Nemours and Company.

Note: Part Numbers are RoHS compliant except: ♦ Indicates non-RoHS compliant.

BNC Connectors, 50 Ohm (Continued)
Plugs, Crimp (Continued)
Single Crimp

Hex and O Crimp


| RG/U Cable | Termination Type | Body Plating | Dielectric | Style | Dim. L | CERTI-CRIMP Hand Tool with Integral Die | Interchangeable Dies for PRO-CRIMPER Hand Tool 354940-1 or PRO-CRIMPER Adapter 679304-1 | Interchangeable Dies for Hand Tool 69710-1 & 626 Pneu. Head 318161-1 | Part No. |
|---|------------------|--------------|---------------|------------|-----------------------|---|---|--|--------------------|
| 124, 140, 210, 62, 62A, 62B, 59, 59A, 59B, BELDEN 9291, 9209, 9269 | Hex Crimp | Nickel | Polyethylene | Commercial | 33.53 1.320 | — | 58436-12 | — | 1-5221128-1 |
| | O Crimp | Nickel | Polyethylene | Commercial | 27.69 1.090 | 220187-2 | 58435-11 | 220217-2 | 5227079-7 |
| | O Crimp | Nickel | Polyethylene | Commercial | 27.69 1.090 | 220187-2 | 58435-11 | 220217-2 | 1-5227079-1 |
| | O Crimp | Nickel | TEFLON | MIL Type | 30.18 1.188 | — | 58537-1 | — | 5225395-2 |
| | Single Crimp | Silver | TEFLON | MIL Type | 33.33 1.312 | 69141-1 | — | — | 2-5329445-1 |
| 302, BELDEN 88241, 89269, Hi-Temp 62A, Times PL62, BERK-TEK, BTDC-59, BTDC-62 | Hex Crimp | Nickel | Polyethylene | Commercial | 33.53 1.320 | — | 58436-12 | — | 1-5221128-1 |
| | O Crimp | Nickel | TEFLON | MIL Type | 34.14 1.344 | 69477-1 | 58537-1 | 69669-1 | 4-5225395-1 |
| Hi-Temp 59, Times PL59, PLF59 (20 AWG C.C.) | O Crimp | Nickel | Polyethylene | Commercial | 33.33 1.312 | — | 58537-1 | — | 5-5227079-3 |
| BELDEN 9104, 9240, 9112, 9167, 9259, 9266, Times FM-59 | Hex Crimp | Nickel | Polyethylene | Commercial | 33.53 1.320 | — | 58436-12 | — | 1-5221128-7 |
| | O Crimp | Nickel | TEFLON | MIL Type | 30.94 1.218 | — | 58537-1 | 69669-1 | 2-5225395-0 |
| BELDEN 8281, 9141, 9231, Western Electric 724, 728, 3049 | Single Crimp | Silver | Polypropylene | MIL Type | 41.50 1.634 | 69652 | — | 220000 | 5330878 |
| 8, 8A, 213 | O Crimp | Silver | TEFLON | MIL Type | 27.31 1.075 | 220015-1 | — | — | 5225886-1 |
| 11, 11A | O Crimp | Silver | TEFLON | MIL Type | 47.63 1.875 | 220015-1 | — | — | 5225886-4 |
| BELDEN 9914, Times FM-8 | O Crimp | Silver | TEFLON | MIL Type | 47.63 1.875 | 220015-1 | — | — | 5225886-7 |
| Alpha 9847, BELDEN 8213, 9292 | O Crimp | Silver | TEFLON | MIL Type | 47.63 1.875 | 220015-1 | — | — | 225886-5 ♦ |
| 9, 9A, 9B, 214 | O Crimp | Silver | TEFLON | MIL Type | 52.38 2.062 | 220015-1 | — | — | 5225886-1 |

¹Order Tyco Electronics PRO-CRIMPER Coaxial "O" Crimp Hand Tool assembly 58433-1, which includes dies 58435-1.
²Order Tyco Electronics PRO-CRIMPER Coaxial Hex Crimp Hand Tool assembly 58433-2, which includes dies 58436-1.
 Tyco Electronics PRO-CRIMPER II Hand Tool Frame without dies Part No. 354940-1

BELDEN is a trademark of Belden Wire and Cable Company.

BERK-TEK is a trademark of Nexans, Inc.

TEFLON is a trademark of E.I. Dupont de Nemours and Company.

Note: Part Numbers are RoHS compliant except: ♦ Indicates non-RoHS compliant.

BNC Connectors, 50 Ohm (Continued)

Plugs, Twist-On

Related Product Data

Twist-On plugs must be used with cable that has a solid conductor. These plugs are not recommended for applications where the cable frequently moves or flexes.

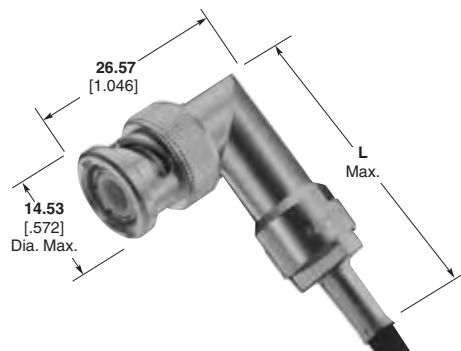


Mating Twist-On Jack — Page 52

| RG/U Cable | Contact Plating | Body Plating | Dielectric | Style | Part No. |
|--------------|-----------------|--------------|--------------------|------------|-----------|
| 59, 59A, 59B | Gold | Nickel | Polymethyl-pentene | Commercial | 5414265-3 |

Right-Angle Plugs, Crimp

Single Crimp



Hex and O Crimp



| RG/U Cable | Termination Type | Center Contact Plating | Body Plating | Dielectric | Style | Dim. L | CERTI-CRIMP Hand Tool with Integral Die | Interchangeable Dies for PRO-CRIMPER Hand Tool 354940-1 or PRO-CRIMPER Adapter 679304-1 | Interchangeable Dies for Hand Tool 69710-1 & 626 Pneu. Head 318161-1 | Part No. |
|--|------------------|------------------------|--------------|--------------------|------------|----------------|---|---|--|-----------|
| 174, 188, 188A, 316 | Hex Crimp | Gold | Nickel | Polymethyl-pentene | Commercial | 39.45 1.553 | — | 58436-3 | — | 5413959-3 |
| | Single Crimp | Gold | Silver | TEFLON | MIL Type | 44.45 1.750 | — | 91910-1 | 69422 | 5331178 |
| 179, 179A, 179B, 161, 187, 187A, BELDEN 9221 | Hex Crimp | Gold | Nickel | Polymethyl-pentene | Commercial | 39.45 1.553 | — | 58436-3 | — | 5413959-4 |
| 180, 180A, 180B, 195, 195A | Hex Crimp | Gold | Nickel | Polymethyl-pentene | Commercial | 39.45 1.553 | — | 58436-3 | — | 5413959-5 |
| BELDEN 9907, 89907, 8219, COMM/SCOPE 2104, 3104 | Hex Crimp | Gold | Nickel | Polymethyl-pentene | Commercial | 39.45 1.553 | — | 58436-1 | — | 5413959-6 |
| 58, 58A, 58B, 58C | Hex Crimp | Gold | Nickel | Polymethyl-pentene | Commercial | 39.45 1.553 | — | 58436-1 | — | 5413959-1 |
| | O Crimp | Gold | Nickel | TEFLON | MIL Type | 37.29 1.468 | 69478-1 | 220189-3 | 69727-1 | 5225974-1 |
| | Single Crimp | Gold | Silver | TEFLON | MIL Type | 44.45 1.750 | — | 91904-1 | 69223-1 | 5331175 |
| 55, 55A, 55B, 223 | O Crimp | Gold | Nickel | TEFLON | MIL Type | 37.29 1.468 | 69478-1 | 220189-3 | 69727-1 | 5225974-2 |
| | Single Crimp | Gold | Silver | TEFLON | MIL Type | 44.45 1.750 | — | 91904-3 | 69429-1 | 5331182 |
| 142, 142A, 142B, 400 | Single Crimp | Gold | Silver | TEFLON | MIL Type | 44.45 1.750 | 69331-1 | — | 69429-1 | 5331182 |
| 124, 140, 210, 62, 62A, 62B, 59, 59A, 59B, BELDEN 9291, 9209, 9269 | O Crimp | Gold | Nickel | TEFLON | MIL Type | 37.29 1.468 | — | 58537-1 | 69669-1 | 5225974-5 |

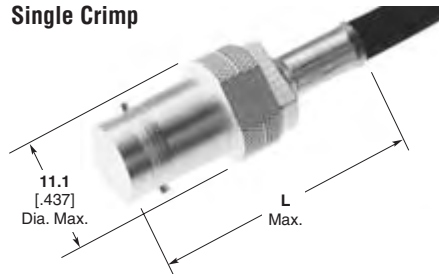
BELDEN is a trademark of Belden Wire and Cable Company.
COMM/SCOPE is a trademark of Commscope, Inc.
TEFLON is a trademark of E.I. DuPont de Nemours and Company.

Note: Part Numbers are RoHS compliant except: ♦ Indicates non-RoHS compliant.

BNC Connectors, 50 Ohm (Continued)

Jacks, Crimp

Single Crimp



Hex and O Crimp



| RG/U Cable | Termination Type | Center Contact Plating | Body Plating | Dielectric | Style | Dim. L | CERTI-CRIMP Hand Tool with Integral Die | Interchangeable Dies for PRO-CRIMPER Hand Tool 354940-1 or PRO-CRIMPER Adapter 679304-1 | Interchangeable Dies for Hand Tool 69710-1 & 626 Pneu. Head 318161-1 | Part No. |
|--|------------------|------------------------|--------------|--------------------|------------|-----------------------|---|---|--|--------------------|
| 174, 188, 188A, 316 | Hex Crimp | Gold | Nickel | Polymethyl-pentene | Commercial | 33.02 1.300 | — | 58436-3 | — | 5413779-3 |
| | O Crimp | Gold | Nickel | Polypropylene | Commercial | 30.48 1.200 | — | 1424050-1 | 220217-3 | 5228979-7 |
| | O Crimp | Gold | Nickel | TEFLON | MIL Type | 30.48 1.200 | — | 1424050-1 | 220026-1 | 5225396-7 |
| | Single Crimp | Gold | Silver | TEFLON | MIL Type | 33.33 1.312 | — | — | 69422 | 2-5330062-1 |
| 179, 179A, 179B, 161, 187, 187A, BELDEN 9221 | Hex Crimp | Gold | Nickel | Polymethyl-pentene | Commercial | 33.02 1.300 | — | 58436-3 | — | 2-5413779-4 |
| 58, 58A, 58B, 58C | O Crimp | Gold | Nickel | Polypropylene | Commercial | 30.48 1.200 | 220187-1 | 58435-1 ¹ | 220217-1 | 5228979-5 |
| | O Crimp | Gold | Nickel | TEFLON | MIL Type | 30.48 1.200 | — | 91901-1 | 69727 | 5225396-1 |
| 223, 55, 55A, 55B | Single Crimp | Gold | Silver | TEFLON | MIL Type | 33.33 1.312 | 69140-2 | 91904-3 | 69424 | 2-5329452-2 |
| 124, 140, 210, 62, 62A, 62B, 59, 59A, 59B, BELDEN 9291, 9209, 9269 | O Crimp | Gold | Nickel | Polypropylene | Commercial | 30.48 1.200 | 220187-2 | 58435-1 ¹ | 220217-2 | 5228979-6 |
| | O Crimp | Gold | Nickel | TEFLON | MIL Type | 30.48 1.200 | — | 58537-1 | 69669-1 | 5225396-2 |

¹Order Tyco Electronics PRO-CRIMPER Coaxial "O" Crimp Hand Tool assembly 58433-1, which includes dies 58435-1.

BELDEN is a trademark of Belden Wire and Cable Company.
TEFLON is a trademark of E.I. Dupont de Nemours and Company.

Note: Part Numbers are RoHS compliant except: ♦ Indicates non-RoHS compliant.

BNC Connectors, 50 Ohm (Continued)

Jacks, Twist-On

Related Product Data

Twist-on jacks must be used with cable that has a solid conductor. These jacks are not recommended for applications where the cable frequently moves or flexes.

Mating Twist-On Plug — Page 50



| RG/U Cable | Center Contact | Body Plating | Dielectric | Style | Part No. |
|--------------|----------------|--------------|------------|------------|----------|
| 59, 59A, 59B | Gold | Nickel | Acetal | Commercial | 222428-1 |

Panel Jacks, Crimp



Recommended Panel Cutout

| RG/U Cable | Termination Type | Center Contact Plating | Body Plating | Dielectric | Style | CERTI-CRIMP Hand Tool with Integral Die | Interchangeable Dies for PRO-CRIMPER Hand Tool 354940-1 or PRO-CRIMPER Adapter 679304-1 | Interchangeable Dies for Hand Tool 69710-1 & 626 Pneu. Head 318161-1 | Part No. |
|---|------------------|------------------------|--------------|------------|----------|---|---|--|-----------|
| 174, 188, 188A, 316 | O Crimp | Gold | Nickel | TEFLON | MIL Type | — | 1424050-1 | 220026-1 | 5225397-7 |
| 58, 58A, 58B, 58C | O Crimp | Gold | Nickel | TEFLON | MIL Type | 69478-1 | 91901-1 | 69727 | 5225397-1 |
| 124, 140, 210, 62, 62A, 62B, 59, 59A, 59B, BELDEN 9291, 9209, 9269, 89269 | O Crimp | Gold | Nickel | TEFLON | MIL Type | 69477-1 | 58537-1 | 69669-1 | 5225397-2 |

BELDEN is a trademark of Belden Wire and Cable Company.
TEFLON is a trademark of E.I. Dupont de Nemours and Company.

Note: Part Numbers are RoHS compliant except: ♦ Indicates non-RoHS compliant.

BNC Connectors, 50 Ohm (Continued)

**Bulkhead Jacks,
Crimp**

Note: Panel Insulating Bushings — Page 54

Single Crimp



Hex and O Crimp



Recommended Panel Cutouts
Maximum Panel Thickness 3.18 [.125]



H = 11/16" across flats, 20.32 [.800] Max. across points

| RG/U Cable | Termination Type | Center Contact Plating | Body Plating | Dielectric | Style | Dim. L | CERTI-CRIMP Hand Tool with Integral Die | Interchangeable Dies for PRO-CRIMPER Hand Tool 354940-1 or PRO-CRIMPER Adapter 679304-1 | Interchangeable Dies for Hand Tool 69710-1 & 626 Pneu. Head 318161-1 | Part No. |
|--|------------------|------------------------|--------------|--------------------|------------|----------------|---|---|--|-------------|
| 174, 188, 188A, 316 | Hex Crimp | Gold | Nickel | Polymethyl-pentene | Commercial | 36.83 1.450 | — | 58436-3 | — | 5413771-3 |
| | O Crimp | Gold | Nickel | Polypropylene | Commercial | 34.93 1.375 | — | — | 220217-3 | 5228980-7 |
| | O Crimp | Gold | Nickel | TEFLON | MIL Type | 35.71 1.406 | — | — | 220026-1 | 5225398-7 |
| | Single Crimp | Gold | Silver | TEFLON | MIL Type | 32.13 1.265 | — | — | 69422 | 2-5330063-1 |
| 179, 179A, 179B, 161, 187, 187A, BELDEN 9221 | O Crimp | Gold | Nickel | TEFLON | MIL Type | 35.71 1.406 | — | 1424050-1 | 220026-1 | 5225398-8 |
| | Single Crimp | Gold | Silver | TEFLON | MIL Type | 32.13 1.265 | — | 91910-1 | 69408 | 2-5329458-1 |
| Times RD316 | O Crimp | Gold | Nickel | TEFLON | MIL Type | 35.71 1.406 | — | 91904-1 | 69669-2 | 1-5225398-5 |

BELDEN is a trademark of Belden Wire and Cable Company.
TEFLON is a trademark of E.I. Dupont de Nemours and Company.

Note: Part Numbers are RoHS compliant except: ♦ Indicates non-RoHS compliant.

BNC Connectors, 50 Ohm (Continued)

Bulkhead Jacks, Crimp (Continued)

Note: Panel Insulating Bushings—
at the bottom of this page

Single Crimp



Recommended Panel Cutouts
Maximum Panel Thickness 3.18 [.125]



Hex and O Crimp



H = 11/16" across flats, 20.32 [.800] Max. across points

| RG/U Cable | Termination Type | Center Contact Plating | Body Plating | Dielectric | Style | Dim. L | CERT-CRIMP Hand Tool with Integral Die | Interchangeable Dies for PRO-CRIMPER Hand Tool 354940-1 or PRO-CRIMPER Adapter 679304-1 | Interchangeable Dies for Hand Tool 69710-1 & 626 Pneu. Head 318161-1 | Part No. |
|--|------------------|------------------------|--------------|--------------------|------------|----------------|--|---|--|-------------|
| 58, 58A, 58B, 58C, BELDEN 88240, BERK-TEK BTDC-58, COMM/SCOPE 2135 | Hex Crimp | Gold | Nickel | Polymethyl-pentene | Commercial | 36.83 1.450 | — | 58436-1 | — | 5413771-1 |
| 58, 58A, 58B, 58C | O Crimp | Gold | Nickel | Polypropylene | Commercial | 34.93 1.375 | 220187-1 | 58435-11 | 220217-1 | 5228980-5 |
| | O Crimp | Gold | Nickel | TEFLON | MIL Type | 41.28 1.625 | — | 91901-1 | 69727 | 5225398-1 |
| | Single Crimp | Gold | Silver | TEFLON | MIL Type | 32.13 1.265 | — | 91904-4 | 69223-1 | 2-5329456-1 |
| 223, 55, 55A, 55B | O Crimp | Gold | Nickel | TEFLON | MIL Type | 35.71 1.406 | — | 91901-1 | 69727 | 5225398-3 |
| 142, 142A, 142B, 400 | O Crimp | Gold | Nickel | TEFLON | MIL Type | 35.71 1.406 | — | 91901-1 | 69727 | 5225398-6 |
| 124, 140, 210, 62, 62A, 62B, 59, 59A, 59B, BELDEN 9291, 9209, 9269 | O Crimp | Gold | Nickel | Polypropylene | Commercial | 34.93 1.375 | 220187-2 | 58435-11 | 220217-2 | 5228980-6 |

†Order Tyco Electronics PRO-CRIMPER Coaxial "O" Crimp Hand Tool assembly 58433-1, which includes dies 58435-1.

Panel Insulating Bushings for Bulkhead Jacks

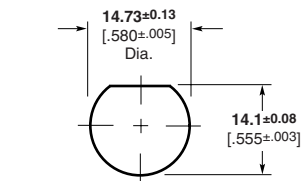
Material — Nylon

Note: Can not be used with single crimp bulkhead jacks.

BELDEN is a trademark of Belden Wire and Cable Company.
BERK-TEK is a trademark of Nexans, Inc.
COMM/SCOPE is a trademark of Commscope, Inc.
TEFLON is a trademark of E.I. Dupont de Nemours and Company.



Part No. 330620 (2 Required)



Recommended Panel Cutout

Note: Part Numbers are RoHS compliant except: ♦ Indicates non-RoHS compliant.

BNC Connectors, 50 Ohm (Continued)

Plugs, for JIS Cables, Crimp

Plating

Body — Nickel

Center Contact — Gold



| JIS Cable | Termination Type | Dielectric | Dim. L | Interchangeable Dies for PRO-CRIMPER Hand Tool 354940-1 or PRO-CRIMPER Adapter 679304-1 | Part No. |
|-----------|------------------|--------------|----------------|---|-------------|
| 3D-2V | Hex Crimp | Polyethylene | 33.53 1.320 | 58436-1 | 3-5221128-1 |

Bulkhead Solder Jacks, Front Mount

Body Plating — Nickel

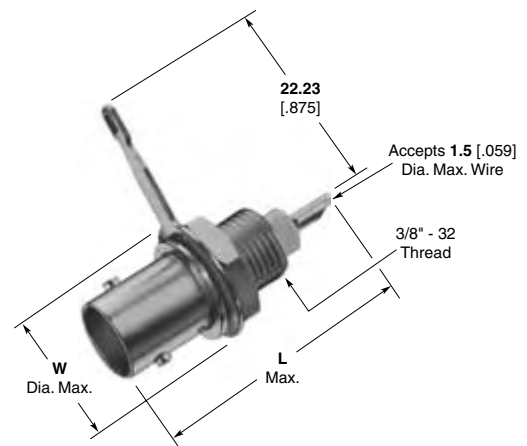


Recommended Panel Cutout

Without Solder Terminal



With Solder Terminal



| Contact Material | Dielectric | Dimensions | | Panel Thickness | Insulating Bushing | Part No. | |
|------------------|------------|------------|-----------|----------------------|----------------------|--------------------------|------------------------|
| | | L | W | | | Without Solder Terminal* | With Solder Terminal** |
| Silver | VALOX | 26.93 | 13.09 | 1.17-3.18 | 227223-1 or 221951-1 | 5227754-3 | 5227755-3 |
| | | 1.060 | .515 | .046-.125 | — | — | — |
| Gold | VALOX | 33.33 | 13.09 | 1.17-6.35 | 227223-1 or 221951-1 | — | 5227169-7 |
| | | 1.312 | .515 | .046-.250 | — | — | — |
| | 26.93 | 13.09 | 1.17-3.18 | 227223-1 or 221951-1 | 5227754-2 | 5227755-2 | |
| | 1.060 | .515 | .046-.125 | — | — | — | |
| TEFLON | TEFLON | 33.33 | 13.09 | 1.17-6.35 | 227223-1 or 221951-1 | 5227169-4 | 5227169-8 |
| | | 1.312 | .515 | .046-.250 | — | — | — |
| Tin | VALOX | 26.93 | 13.09 | 1.17-3.18 | 227223-1 or 221951-1 | 5227715-3 | 5227716-3 |
| | | 1.060 | .515 | .046-.125 | — | — | — |
| | | 33.33 | 13.09 | 1.17-6.35 | 227223-1 or 221951-1 | — | 5227169-5 |
| 1.312 | .515 | .046-.250 | — | — | — | | |
| VALOX | VALOX | 26.93 | 13.09 | 1.17-3.18 | 227223-1 or 221951-1 | 5227754-1 | 5227755-1 |
| | | 1.060 | .515 | .046-.125 | — | — | — |

*Includes lockwasher and jam nut.

**Includes solder terminal and jam nut.

TEFLON is a trademark of E.I. Dupont de Nemours and Company.
VALOX is a trademark of General Electric Company.

Note: Part Numbers are RoHS compliant except: ♦ Indicates non-RoHS compliant.

BNC Connectors, 50 Ohm (Continued)

Insulating Bushings



Part No. 227223-1



Recommended Panel Cutout



Part No. 221951-1



Recommended Panel Cutout

Isolated Bulkhead Solder Jacks, Front Mount

Plating

Body — Nickel

Dielectric — White VALOX

| Center Contact Plating | Flange & Thread Material | Part No. |
|------------------------|--------------------------|------------------|
| Tin | VALOX | 5227726-1 |
| Silver | VALOX | 5227726-2 |
| Gold | VALOX | 5227726-3 |



Recommended Panel Cutout

Plating

Body — Nickel

Center Contact — Silver

Dielectric — Black VALOX

Flange & Thread Material — Black VALOX



Part No. 5414194-1



Recommended Panel Cutout

Sealed Bulkhead Solder Jack, Rear Mount

Plating

Body — Nickel

Center Contact — Gold

Dielectric — Polymethylpentene

This connector is designed to prevent moisture from entering the interface from the rear of the connector.



Part No. 5227426-1



Recommended Panel Cutout

Note: Part Numbers are RoHS compliant except: ♦ Indicates non-RoHS compliant.

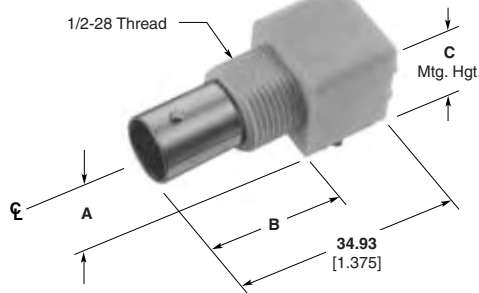
VALOX is a trademark of General Electric Company.

BNC Connectors, 50 Ohm (Continued)

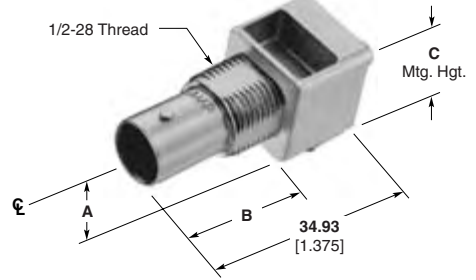
**Right-Angle Jacks
PC Board/Panel Mount**

Body — Nickel
Dielectric — Polymethylpentene

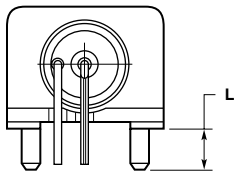
VALOX Body



Metal Body



Mounting Post Style



Compliant Post



Maximum Panel Thickness 6.1 [240]

Recommended Panel Cutout

Lockwasher and Jam Nut



Part No.
1-329632-2

Part No.
1-329631-2

Without Mounting Posts



With Mounting Posts



Recommended PC Board Layouts

| Body Material | Center Contact Plating | Dimensions | | | Part No. | | | | |
|--------------------|------------------------|--------------|---------------|---------------|------------------------|---------------------|--------------|----------------------|--------------|
| | | A | B | C | Without Mounting Posts | With Mounting Posts | L | With Compliant Posts | L |
| VALOX, White | Tin | 8.59 .338 | 21.21 .835 | 15.88 .625 | 5226990-1 | 5227161-1 | 3.48 .137 | — | — |
| | Gold1 | 8.59 .338 | 21.21 .835 | 15.88 .625 | 5226990-3 | 5227161-3 | 3.48 .137 | — | — |
| | Gold1 | 6.91 .272 | 21.21 .835 | 13.18 .519 | — | 5227161-7 | 3.48 .137 | — | — |
| VALOX, Black | Tin | 8.59 .338 | 21.21 .835 | 15.88 .625 | — | 5227161-2 | 3.48 .137 | — | — |
| | Gold1 | 8.59 .338 | 21.21 .835 | 15.88 .625 | 5226990-6 | 5227161-6 | 3.48 .137 | — | — |
| | Gold1 | 6.91 .272 | 21.21 .835 | 13.18 .519 | — | 5227161-9 | 3.48 .137 | — | — |
| Metal | Gold1 | 6.17 .243 | 21.21 .835 | 11.68 .460 | — | 5415046-1 | — | — | — |
| | Tin | 8.26 .325 | 20.83 .820 | 15.88 .625 | — | 5227661-1 | 3.48 .137 | — | — |
| | Gold1 | 8.26 .325 | 20.83 .820 | 15.88 .625 | 5227676-1 | 5227677-1 | 3.48 .137 | — | — |
| | Gold1 | 6.91 .272 | 20.83 .820 | 12.70 .500 | 1274668-1 | 5413879-1 | 3.48 .137 | — | — |
| High Temp. Housing | Gold1 | 6.91 .272 | 21.21 .835 | 13.18 .519 | — | — | — | 5415218-5 | 2.79 .110 |

Plating:

Gold1 — 0.00076 [0.00030] thick

Gold2 — 0.00127 [0.00050] thick

Note: If an Insulating Bushing is required see part number 330620 and Panel Cutout on page 54.

VALOX is a trademark of General Electric Company.

Note: Part Numbers are RoHS compliant except: ♦ Indicates non-RoHS compliant.

BNC Connectors, 50 Ohm (Continued)

**Vertical Jacks
PC Board/Panel Mount**

Plating
Body — Nickel
Dielectric — Polymethylpentene



Maximum Panel Thickness 6.1 [.240]

Recommended Panel Cutout

Lockwasher and Jam Nut



Part No.
1-329632-2

Part No.
1-329631-2

VALOX Body



Metal Body



| Body Material | Center Contact Plating | Dim. B | Dim. L | Part No. | |
|---------------|------------------------|---------------|--------------|------------------------|---------------------|
| | | | | Without Mounting Posts | With Mounting Posts |
| VALOX, White | Tin | 21.21 .835 | 3.48 .137 | 5226993-1 | 5227222-1 |
| | Gold | 21.21 .835 | 3.48 .137 | 5226993-3 | 5227222-3 |
| VALOX, Black | Tin | 21.21 .835 | 3.48 .137 | 5226993-2 | 5227222-2 |
| | Gold | 21.21 .835 | 3.48 .137 | 5226993-6 | 5227222-6 |
| Metal | Tin | 20.83 .820 | 3.48 .137 | — | 5227671-1 |
| | Gold | 20.83 .820 | 3.48 .137 | — | 5227673-1 |

Note: If an Insulating Bushing is required see part number 330620 and Panel Cutout on page 54.

Without Mounting Posts



With Mounting Posts



Recommended PC Board Layouts

* Screw for board thickness of 2.38 [.093] or greater **Part No. 221108-2**.
Screw for thickness of less than 2.38 [.093] **Part No. 221108-4**.

VALOX is a trademark of General Electric Company.

Note: Part Numbers are RoHS compliant except: ♦ Indicates non-RoHS compliant.

BNC Connectors, 50 Ohm (Continued)

**Jacks with
Mounting Flanges
PC Board/Panel Mount**



Maximum Panel Thickness 6.1 [.240]

Recommended Panel Cutout



| Body Material | Center Contact Plating | Part No. |
|---------------|------------------------|-----------|
| VALOX, White | Tin | 5226978-1 |
| | Gold | 5226978-3 |

Lockwasher and Jam Nut



Part No.
1-329632-2



Part No.
1-329631-2



Recommended PC Board Layout

VALOX is a trademark of General Electric Company.

Note: Part Numbers are RoHS compliant except: ♦ Indicates non-RoHS compliant.

BNC Connectors, 50 Ohm (Continued)

**Vertical Metalized Jacks
PC Board Mount**

Recommended PC Board Layouts

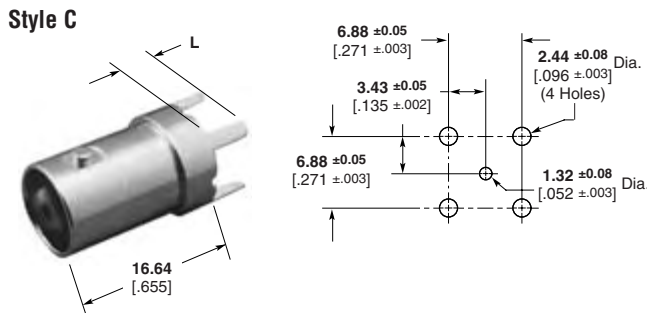
Style A



Style B



Style C



| Body Plating | Center Contact Plating | Dielectric | Style | Leg Length L | Part No. |
|--------------|------------------------|------------|-------|--------------|------------------------|
| | Silver | VALOX | A | 6.35 .250 | 5227699-1 |
| | Gold | VALOX | A | 6.35 .250 | 5227699-2 |
| | Tin | VALOX | A | 6.35 .250 | 5227699-3 |
| Nickel | Gold | VALOX | A | 3.81 .150 | 5414460-1 ¹ |
| | Silver | VALOX | C | 4.45 .175 | 5222420-1 |
| | Gold | VALOX | E | 6.35 .250 | 5415189-1 |
| | Gold | TEFLON | B | 3.30 .130 | 5413969-2 |
| Tin-Lead | Silver | VALOX | C | 3.18 .125 | 5414305-1 |
| | Gold | VALOX | D | 3.43 .135 | 5221123-2 |

¹With .76 [0.030] standoffs on top of legs.

Style D



Style E (Panel Mount)



TEFLON is a trademark of E.I. Dupont de Nemours and Company.
VALOX is a trademark of General Electric Company.

Note: Part Numbers are RoHS compliant except: ♦ Indicates non-RoHS compliant.

BNC Connectors, 50 Ohm (Continued)

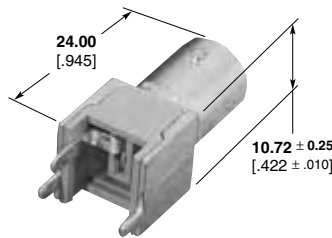
**Vertical Metalized Jacks,
PC Board Mount**



**Part No. 1274314-1
(Switching)**



**Recommended
PC Board Layout**



Part No. 1274315-1



**Recommended
PC Board Layout**

| Body Plating | Contact Plating | Dielectric | Part No. |
|--------------|-----------------|---------------|-----------|
| Tin | Silver | Polyphenylene | 6274314-1 |
| Tin | Silver | Polyphenylene | 6274315-1 |

**Press Fit Vertical Metalized Jack,
PC Board Mount**



Part No. 5222006-1



Recommended PC Board Layout
PC Board Thickness Not Less Than 0.99 [0.093]

Insulating Bushing

Material — Polypropylene
Part No. 222163-1

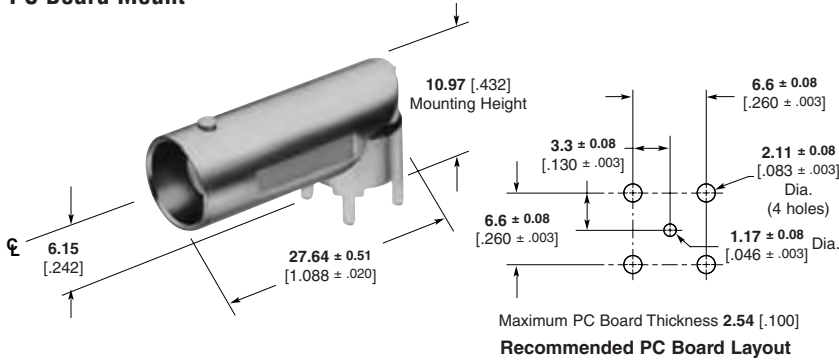
Only to be used on Part Nos. 5222006-1 & 5222462-1



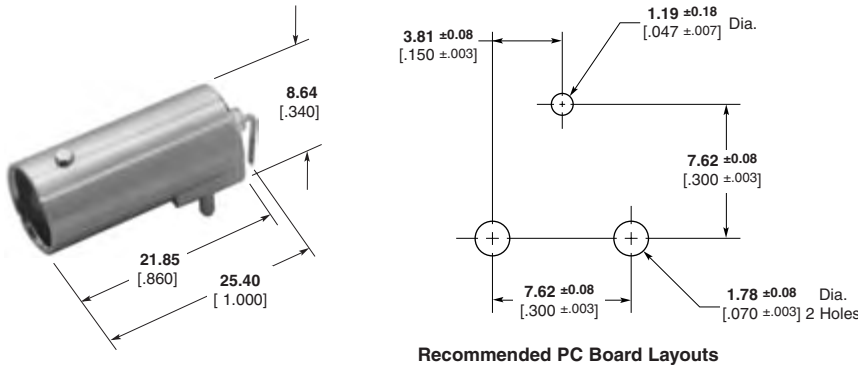
Note: Part Numbers are RoHS compliant except: ♦ Indicates non-RoHS compliant.

BNC Connectors, 50 Ohm (Continued)

Right-Angle Metalized Jacks, PC Board Mount

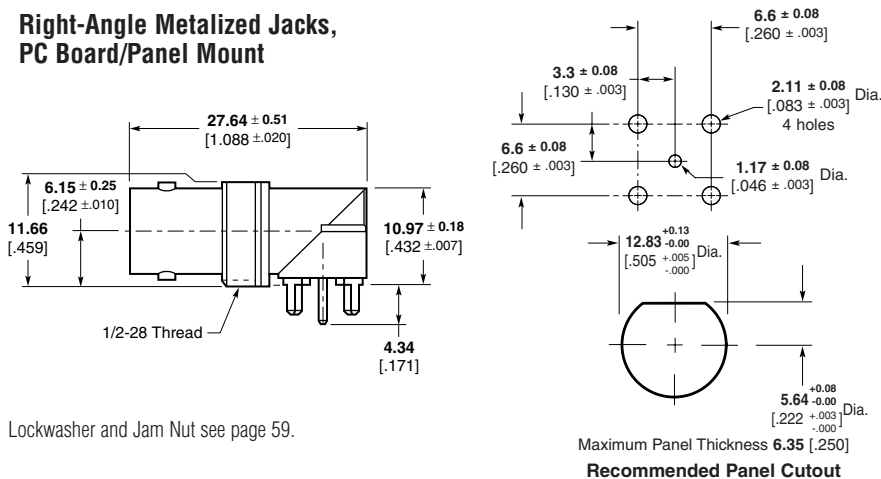


| Body Plating | Dielectric | Center Contact Length | Part No. |
|--------------|--------------------|-----------------------|-----------|
| Nickel | Polymethyl-pentene | 4.34 .171 | 5413631-1 |
| Tin | TEFLON | 4.34 .171 | 5413631-2 |
| Nickel | Polymethyl-pentene | 3.33 .131 | 5413631-3 |



| Body | Dielectric | Contact | Part No. |
|--------|------------|---------|-----------|
| Nickel | TPX | Gold | 5414373-1 |

Right-Angle Metalized Jacks, PC Board/Panel Mount



| Body Plating | Dielectric | Part No. |
|--------------|------------|-----------|
| Tin | TEFLON | 5415025-2 |
| Tin | TPX | 5415025-1 |

Lockwasher and Jam Nut see page 59.

TEFLON is a trademark of E.I. Dupont de Nemours and Company.
TPX is a trademark of Mitsui Chemicals America, Inc.

Note: Part Numbers are RoHS compliant except: ♦ Indicates non-RoHS compliant.

BNC Connectors, 50 Ohm (Continued)

Tee Adapters



| Style | Body Material and Plating | Center Contact Material and Plating | Dielectric | Dimensions | | | Comparable UG/U Connector | Packaging No. Per Pkg. | Part No. |
|-------|---------------------------|-------------------------------------|------------|----------------|----------------|---------------|---------------------------|-----------------------------|-------------|
| | | | | D | E | F | | | |
| A | Brass, Nickel | BE CU, Gold (30) ² | TEFLON | 32.54 1.281 | 26.19 1.031 | 14.27 .562 | 274A | Bulk (100) | 221543-2 |
| | | PH BR, Gold (15) ² | Acetal | 33.02 1.300 | 27.31 1.075 | 14.50 .571 | — | Bulk (100) | 5413592-2 |
| | Zinc, Nickel | BE CU, Gold (30) ² | Acetal | 33.02 1.300 | 27.31 1.075 | 14.50 .571 | — | Bulk (100) | 5413592-6 |
| | | PH BR, Gold (15) ² | Acetal | 33.02 1.300 | 27.31 1.075 | 14.50 .571 | — | Individual (1) ³ | 5413592-9 |
| | | BE CU, Silver (200) ² | Acetal | 33.02 1.300 | 27.31 1.075 | 14.50 .571 | — | Individual (1) | 1-5413592-1 |
| B | Zinc, Nickel | BE CU, Gold (30) ² | Acetal | 32.54 1.281 | 31.12 1.225 | 17.15 .675 | — | Bulk (100) | 5413366-21 |
| C | Brass, Nickel | BE CU, Silver (200) ² | TEFLON | 32.54 1.281 | 23.37 .920 | — | — | Bulk (100) | 221988-1 |
| | Zinc, Nickel | PH BR, Gold (50) ² | Acetal | 32.54 1.281 | 23.62 .930 | — | — | Bulk (100) | 5414311-1 |

¹Gray insulation cover
²(Microinches min thickness)
³(Special graphics)

Tee Adapter Covers

Material — Polypropylene, general purpose

| Color | Part No. |
|-------|----------|
| Black | 221586-1 |
| Ivory | 221586-3 |



TEFLON is a trademark of E.I. Dupont de Nemours and Company.

Note: Part Numbers are RoHS compliant except: ♦ Indicates non-RoHS compliant.

BNC Connectors, 50 Ohm (Continued)

Jack-Jack Adapters

Style A

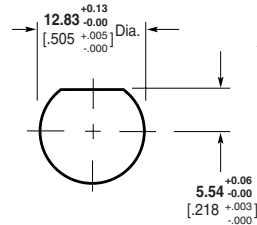


Style B



| Body Plating | Center Contact Plating | Dielectric | Style | Part No. |
|--------------|------------------------|-------------------|-------|-----------|
| Nickel | Silver | TEFLON | A | 221551-1 |
| Nickel | Gold | TEFLON | A | 221551-3 |
| Nickel | Gold | Polymethylpentene | B | 5414414-1 |

Bulkhead Jack-Jack Adapters



| Body Plating | Center Contact Plating | Dimensions | | Dielectric | Part No. |
|--------------|------------------------|---------------|----------------|--------------|-----------|
| | | H | L | | |
| Nickel | Silver | 17.45 .687 | 38.10 1.500 | TEFLON | 330024 |
| Nickel | Gold1 | 17.78 .700 | 36.07 1.420 | Polyethylene | 5228226-1 |
| Nickel | Gold2 | 17.78 .700 | 36.07 1.420 | Polyethylene | 5228226-3 |

Plating:

Gold1—0.00127 [.000050] thick Gold2—0.00076 [.000015] thick

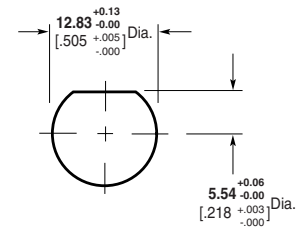
Note: If an Insulating Bushing is required see part number 330620 and Panel Cutout on page 54.

Recommended Panel Cutout

H= 11/16 across flats, 20.32 [.800] across points.

Isolated Bulkhead Jack-Jack Adapter

| Body Plating | Center Contact Plating | Dielectric | Part No. |
|--------------|------------------------|-------------------|-----------|
| Nickel | Gold | Polymethylpentene | 5414105-1 |



Recommended Panel Cutout

H= 11/16 across flats, 20.32 [.800] across points.

Plug-Plug Adapter



| Contact Plating | Body Plating | Part No. |
|-----------------|--------------|----------|
| Gold | Nickel | 415796-1 |

Right-Angle Adapters

(Jack-Plug)

| Body Plating | Center Contact Plating | Dielectric | Part No. |
|--------------|------------------------|-------------------|-----------|
| Nickel | Silver | TEFLON | 5329517 |
| Nickel | Gold | TEFLON | 5222165-2 |
| Nickel | Gold | Polymethylpentene | 5414666-1 |



TEFLON is a trademark of E.I. Dupont de Nemours and Company.

Note: Part Numbers are RoHS compliant except: ♦ Indicates non-RoHS compliant.

BNC Connectors, 50 Ohm (Continued)

**Terminator Plugs
50, 75, 93 Ohm**

Plating

Body—Nickel
Center Contact—Gold
Dielectric—Polyethylene



| Resistor Specification | Part No. | |
|------------------------|--------------------------|----------------|
| | With Tether | Without Tether |
| 1 Watt, 50 Ohm | 5221629-1 | 5221629-4 |
| 1 Watt, 75 Ohm | 5221629-2 | 5221629-5 |
| 1 Watt, 93 Ohm | — | 5221629-6 |
| 0.5 Watt, 75 Ohm | — | — |
| 1 Watt, 50 Ohm | 1-5221629-6 ¹ | — |

¹ Tether is conductive with #4 stud size

Insulated Terminators

Insulation Material
Polyphenylene oxide

Long Cover



| Register Specification | Color | Cover Style | Part No. |
|------------------------|-------|-------------|-----------|
| 1 Watt, 50 Ohm | Gray | Long | 5413557-1 |
| | | Short | 5413364-2 |
| | Black | Long | 5413557-2 |

* The Short Cover is required when mating the Terminator with a Tee Adapter.

Jack Covers

| Body Plating | Part No. |
|--------------|------------|
| Silver | 330022 |
| Nickel | 1-330022-2 |



Shorting Caps

Plating

Body—Nickel
Center Contact—Gold



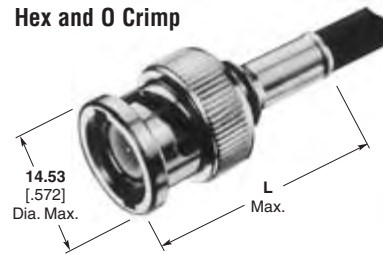
Part No. 413453-1

Note: Part Numbers are RoHS compliant except: ♦ Indicates non-RoHS compliant.

BNC Connectors, 75 Ohm

Plugs, Crimp

These connectors have been designed for optimum performance and have a true 75 ohm impedance the complete length of the connector. The crimp die tooling listed below is different from the equivalent 50 ohm connectors.



Plugs

| RG/U Cable | Termination Type | Center Contact Plating | Body Plating | Dielectric | Style | Dim. L | Interchangeable Dies for PRO-CRIMPER Hand Tool 354940-1 or PRO-CRIMPER Adapter 679304-1 | Interchangeable Dies for Hand Tool 69710-1 & 626 Pneu. Head 318161-1 | Part No. |
|---|------------------|------------------------|--------------|--------------|------------|-----------------------|---|--|--------------------|
| 179, 179A, 179B, 187, 187A, 161, BELDEN 9221 | Hex Crimp | Gold | Nickel | Polyethelene | Commercial | 29.46 1.160 | 58425-2 | — | 5413589-8 |
| | O Crimp | Gold | Nickel | Polyethelene | Commercial | 35.56 1.140 | 318451-2 | — | 5221185-8 |
| AT&T 735A | Hex Crimp | Gold | Nickel | Polyethelene | Commercial | 29.46 1.160 | 58425-2 | — | 1-5413589-0 |
| | O Crimp | Gold | Nickel | Polyethelene | Commercial | 27.69 1.090 | 58174-1 | 58248-3 | 1-5221185-8 |
| BELDEN 8218 | Hex Crimp | Gold | Nickel | Polyethelene | Commercial | 29.46 1.160 | 58425-2 | — | 5413589-3 |
| | O Crimp | Gold | Nickel | Polyethelene | Commercial | 27.69 1.090 | 58174-1 | 58248-3 | 5221185-3 |
| 140, 210, 62, 62A, 62B, 59, 59A, 59B, BELDEN 9291, 9209, 9269 | Hex Crimp | Gold | Nickel | Polyethelene | Commercial | 29.46 1.160 | 58425-1 | — | 5413589-2 |
| | O Crimp | Gold | Nickel | Polyethelene | Commercial | 27.69 1.090 | 58536-1 | 58248-2 | 5221185-2 |
| 302, BELDEN 89269, 88241, Hi-Temp 62A, Times PL-62, Berk Tek BTDC-59, BTDC-62 | Hex Crimp | Gold | Nickel | Polyethelene | Commercial | 29.46 1.160 | 58425-1 | — | 5413589-1 |
| | O Crimp | Gold | Nickel | Polyethelene | Commercial | 27.69 1.090 | 58536-1 | 58248-2 | 5221185-9 |
| BELDEN 8212, 9104, 9112, 9167, 9240, 9259, 9266, Times FM-59, (RG 59 Type with 20 AWG C.C.) | Hex Crimp | Gold | Nickel | Polyethelene | Commercial | 29.46 1.160 | 58425-1 | — | 5413589-7 |
| | O Crimp | Gold | Nickel | Polyethelene | Commercial | 27.69 1.090 | 58536-1 | — | 1-5221185-0 |
| BELDEN 9145, AT&T 734A | Hex Crimp | Gold | Nickel | Polyethelene | Commercial | 29.46 1.160 | 58425-1 | — | 5413589-7 |
| | O Crimp | Gold | Nickel | Polyethelene | Commercial | 27.69 1.090 | 58536-1 | — | 1-5221185-0 |
| BELDEN 9248, 9114 | O Crimp | Gold | Nickel | Polyethelene | Commercial | 25.65 1.010 | 58536-1 | — | 5221185-1 |
| 6, 6A | O Crimp | Gold | Nickel | Polyethelene | Commercial | 37.85 1.490 | 58538-1 | 58248-1 | 5221185-7 |
| BELDEN 8281, 9141, 9231, Western Electric 724, 728, 3049 | Hex Crimp | Gold | Nickel | Polyethelene | Commercial | 29.46 1.160 | 58425-3 | — | 5413589-5 |
| | O Crimp | Gold | Nickel | Polyethelene | Commercial | 28.45 1.120 | 58538-1 | 58248-1 | 5221185-5 |
| COMM/SCOPE S59 Hec | O Crimp | Gold | Nickel | Polyethelene | Commercial | 28.96 1.140 | 58536-1 | — | 2-5221185-9 |
| COMM/SCOPE F59 Hec-z | O Crimp | Gold | Nickel | Polyethelene | Commercial | 28.96 1.140 | 58536-1 | — | 3-5221185-1 |

AT&T is a trademark of AT&T Corporation.

BELDEN is a trademark of Belden Wire and Cable Company.

COMM/SCOPE is a trademark of Commscope, Inc.

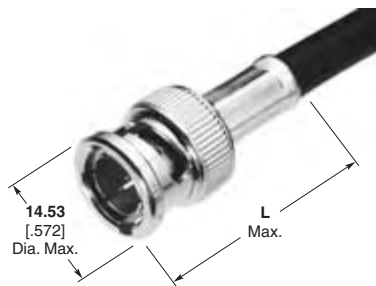
Note: Part Numbers are RoHS compliant except: ♦ Indicates non-RoHS compliant.

BNC Connectors, 75 Ohm (Continued)

Plugs for JIS Cables, Crimp

Plating

Body — Nickel
Center Contact — Gold

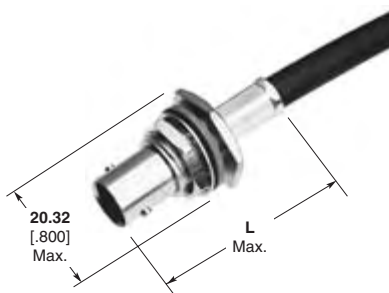


| JIS Cable | Termination Type | Dielectric | Dim. L | Interchangeable Dies for PRO-CRIMPER Hand Tool 354940-1 or PRO-CRIMPER Adapter 679304-1 | Part No. |
|-----------|------------------|-------------------|----------------|---|-------------|
| 3C-2V | Hex Crimp | Polymethylpentene | 29.46 1.160 | 58425-1 | 1-5413589-1 |
| 2.5C-2V | Hex Crimp | Polymethylpentene | 29.46 1.160 | 58425-2 | 1-5413589-6 |

Bulkhead Jacks for JIS Cables, Crimp

Plating

Body — Nickel
Center Contact — Gold
Dielectric — Polymethylpentene



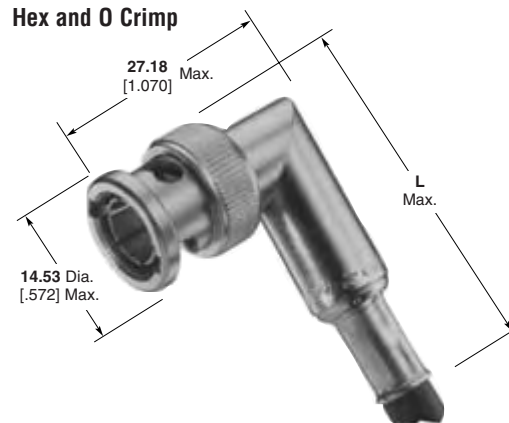
| JIS Cable | Termination Type | Dielectric | Dim. L | Interchangeable Dies for PRO-CRIMPER Hand Tool 354940-1 or PRO-CRIMPER Adapter 679304-1 | Part No. |
|-----------|------------------|------------|----------------|---|------------|
| 1.5C-2V | Hex Crimp | 75Ω | 36.83 1.450 | 58425-2 | 5413590-4* |

*Packaged in 100 pieces per bag.

Note: Part Numbers are RoHS compliant except: ♦ Indicates non-RoHS compliant.

BNC Connectors, 75 Ohm (Continued)

Right-Angle Plugs, Crimp



| RG/U Cable | Termination Type | Center Contact Plating | Body Plating | Dielectric | Style | Dim. L | Interchangeable Dies for PRO-CRIMPER Hand Tool 354940-1 or PRO-CRIMPER Adapter 679304-1 | Interchangeable Dies for Hand Tool 69710-1 & 626 Pneu. Head 318161-1 | Part No. |
|---|------------------|------------------------|--------------|--------------------|------------|-----------------------|---|--|--------------------|
| 179, 179A, 179B, 187, 187A, 161 BELDEN 9221 | Hex Crimp | Gold | Nickel | Polymethyl-pentene | Commercial | 39.45 1.553 | 58425-2 | — | 5413588-8 |
| AT&T 735A | Hex Crimp | Gold | Nickel | Polymethyl-pentene | Commercial | 39.45 1.553 | 58425-2 | — | 1-5413588-0 |
| AT&T KS 19224 L2, RD179 Double Braid | Hex Crimp | Gold | Nickel | Polymethyl-pentene | Commercial | 39.45 1.553 | 58425-2 | — | 5413588-4 |
| 140, 210, 62, 62A, 62B, 59, 59A, 59B, BELDEN 9291, 9209, 9269 | Hex Crimp | Gold | Nickel | Polymethyl-pentene | Commercial | 39.45 1.553 | 58425-1 | — | 5413588-2 |
| | O Crimp | Gold | Nickel | Polymethyl-pentene | Commercial | 39.88 1.570 | 58536-1 | 58248-2 | 5221402-2 |
| BELDEN 8212, 9104, 9112, 9240, 9167, 9259, 9266, Times FM-59, (RG 59 Type with 20 AWG C.C.) | Hex Crimp | Gold | Nickel | Polymethyl-pentene | Commercial | 39.45 1.553 | 58425-1 | — | 5413588-9 |
| BELDEN 9145, AT&T 734A | O Crimp | Gold | Nickel | Polymethyl-pentene | Commercial | 39.88 1.570 | 58536-1 | — | 5221402-4 |

AT&T is a trademark of AT&T Corporation.
BELDEN is a trademark of Belden Wire and Cable Company.

Note: Part Numbers are RoHS compliant except: ♦ Indicates non-RoHS compliant.

BNC Connectors, 75 Ohm (Continued)

Jacks, Crimp

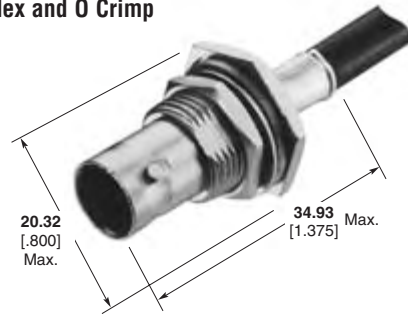
Hex and O Crimp



| RG/U Cable | Termination Type | Center Contact Plating | Body Plating | Dielectric | Style | Dim. L | Interchangeable Dies for PRO-CRIMPER Hand Tool 354940-1 or PRO-CRIMPER Adapter 679304-1 | Interchangeable Dies for Hand Tool 69710-1 & 626 Pneu. Head 318161-1 | Part No. |
|---|------------------|------------------------|--------------|--------------|------------|-----------------------|---|--|------------------|
| 179, 179A, 179B, 161, 187, 187A, BELDEN 9221 | Hex Crimp | Gold | Nickel | Polyethelene | Commercial | 33.02 1.300 | 58425-2 | — | 5413760-8 |
| | O Crimp | Gold | Nickel | Polyethelene | Commercial | 30.48 1.200 | 318451-2 | — | 5221199-5 |
| BELDEN 8218 | Hex Crimp | Gold | Nickel | Polyethelene | Commercial | 33.02 1.300 | 58425-2 | — | 5413760-3 |
| 140, 210, 62, 62A, 62B, 59, 59A, 59B, BELDEN 9291, 9209, 9269 | O Crimp | Gold | Nickel | Polyethelene | Commercial | 30.48 1.200 | 58536-1 | 58248-2 | 5221199-2 |
| 302, BELDEN 88241, 89269, Hi-Temp 62A, Times PL-62, Berk Tek BTDC-59, BTDC-62 | Hex Crimp | Gold | Nickel | Polyethelene | Commercial | 33.02 1.300 | 58425-1 | — | 5413760-1 |
| BELDEN 8212, 9104, 9112, 9240, 9167, 9259, 9266, Times FM-59, (RG 59 Type with 20 AWG C.C.) | Hex Crimp | Gold | Nickel | Polyethelene | Commercial | 33.02 1.300 | 58425-1 | — | 5413760-9 |
| BELDEN 9248, 9114 | O Crimp | Gold | Nickel | Polyethelene | Commercial | 30.48 1.200 | 58536-1 | — | 5221199-1 |

BELDEN is a trademark of Belden Wire and Cable Company.

Note: Part Numbers are RoHS compliant except: ♦ Indicates non-RoHS compliant.

BNC Connectors, 75 Ohm (Continued)
Bulkhead Jacks, Crimp
Hex and O Crimp


Maximum Panel Thickness 6.1 [0.240]

Recommended Panel Cutout

| RG/U Cable | Termination Type | Center Contact Plating | Body Plating | Dielectric | Style | Dim. L | Interchangeable Dies for PRO-CRIMPER Hand Tool 354940-1 or PRO-CRIMPER Adapter 679304-1 | Interchangeable Dies for Hand Tool 69710-1 & 626 Pneu. Head 318161-1 | Part No. |
|--|------------------|------------------------|--------------|--------------|------------|-----------------------|---|--|------------------|
| 179, 179A, 179B, 161, 187, 187A, BELDEN 9221 | Hex Crimp | Gold | Nickel | Polyethelene | Commercial | 36.83 1.450 | 58425-2 | — | 5413590-8 |
| | O Crimp | Gold | Nickel | Polyethelene | Commercial | 34.93 1.375 | 318451-2 | — | 5221221-5 |
| AT&T KS 19224 L2, RD179 Double Braid | Hex Crimp | Gold | Nickel | Polyethelene | Commercial | 36.83 1.450 | 58425-2 | — | 5413590-4 |
| BELDEN 8218 | Hex Crimp | Gold | Nickel | Polyethelene | Commercial | 36.83 1.450 | 58425-2 | — | 5413590-3 |
| 140, 210, 62, 62A, 62B, 59, 59A, 59B, BELDEN 9291, 9209, 9269 | O Crimp | Gold | Nickel | Polyethelene | Commercial | 34.93 1.375 | 58536-1 | 58248-2 | 5221221-2 |
| BELDEN 8212, 9104, 9112, 9240, 9167, 9259, 9266, Times FM-59 (RG 59 Type with 20 AWG C.C.) | O Crimp | Gold | Nickel | Polyethelene | Commercial | 34.93 1.375 | 58536-1 | 58248-2 | 5221221-7 |
| BELDEN 9114, 9248 | O Crimp | Gold | Nickel | Polyethelene | Commercial | 34.93 1.375 | 58536-1 | — | 5221221-1 |

AT&T is a trademark of AT&T Corporation.
 BELDEN is a trademark of Belden Wire and Cable Company.

Note: Part Numbers are RoHS compliant except: ♦ Indicates non-RoHS compliant.

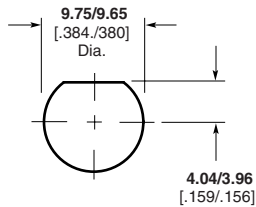
BNC Connectors, 75 Ohm (Continued)

**Bulkhead Solder Jacks
Front Mount**

Plating

Body — Nickel

Center Contact — Silver



Maximum Panel Thickness **3.18** [.125]

Recommended Panel Cutout

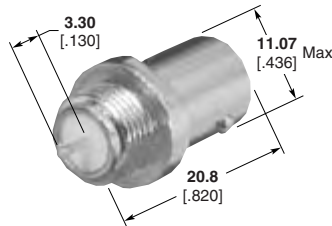


Note: If insulating bushing required use part no. 227223-1 or 221951-1 (for details, reference page 55).



Note: If insulating bushing required use part no. 227223-1 or 221951-1 (for details, reference page 55).

**Bulkhead Jack
PC Board Mount**



**Bulkhead Solder Jack
Rear Mount**

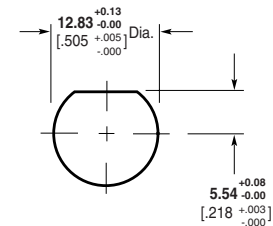
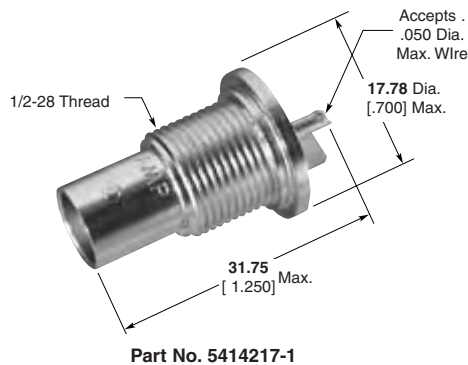
Lockwasher and Jam Nut see page 73.

Plating

Body — Nickel

Center Contact — Gold

Dielectric — Polymethylpentene



Maximum Panel Thickness **6.35** [.250]

Recommended Panel Cutout

Note: Part Numbers are RoHS compliant except: ♦ Indicates non-RoHS compliant.

BNC Connectors, 75 Ohm (Continued)

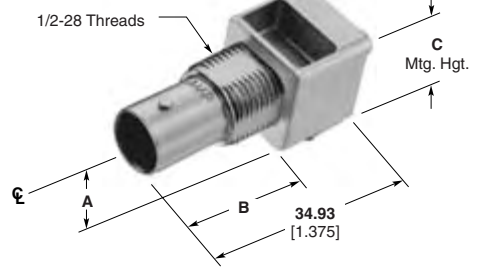
**Right-Angle Jacks
PC Board/Panel Mount**

Outer Shell — Nickel
Dielectric — Polymethylpentene
Lockwasher and Jam Nut see page 73.

VALOX Body



Metal Body



Maximum Panel Thickness **6.1** [240]

Recommended Panel Cutout



Recommended PC Board Layouts

Without Mounting Posts



With Mounting Posts



* Screw for panel thickness of **2.38** [3/32] or greater
Part No. 221108-2.
Screw for panel thickness of less than **2.38** [3/32]
Part No. 221108-4.

| Body Material | Center Contact Plating | Dimensions | | | | Part No. | |
|--|------------------------|--------------|---------------|---------------|--------------|------------------------|---------------------|
| | | A | B | C | L | Without Mounting Posts | With Mounting Posts |
| VALOX, Black w/ Compliant Posts (Economy)* | Gold3 | 6.17 .243 | 21.21 .835 | 11.68 .460 | 2.79 .110 | — | 5415105-2 |
| VALOX, Black (Economy)* | Gold3 | 6.17 .243 | 21.21 .835 | 11.68 .460 | 4.01 .158 | — | 5415105-1 |
| VALOX, White | Gold1 | 6.91 .272 | 21.21 .835 | 13.88 .519 | 3.48 .137 | — | 5413194-1 |
| VALOX, White (Economy)* | Gold1 | 6.91 .272 | 21.21 .835 | 13.88 .519 | 3.48 .137 | — | 5415634-2 |
| VALOX, Black | Gold1 | 6.91 .272 | 21.21 .835 | 13.88 .519 | 3.48 .137 | — | 5413194-2 |
| VALOX, Black (Economy)* | Gold1 | 6.91 .272 | 21.21 .835 | 13.88 .519 | 3.48 .137 | — | 5415634-1 |
| VALOX, Black (Economy)* | Gold1 | 8.59 .338 | 21.21 .835 | 15.88 .625 | 3.48 .137 | — | 5415633-1 |
| VALOX, White | Gold2 | 8.59 .338 | 21.21 .835 | 15.88 .625 | 3.48 .137 | — | 5414459-1 |
| Metal | Gold1 | 8.25 .325 | 20.83 .820 | 15.88 .625 | 2.16 .085 | — | 5222092-1 |
| Metal | Gold1 | 8.25 .325 | 20.83 .820 | 15.88 .625 | — | 5222093-1 | — |
| Metal (Economy)* | Gold1 | 8.25 .325 | 20.83 .820 | 15.88 .625 | 3.48 .137 | — | 5414409-1 |
| Metal with Compliant Posts (Economy)* | Gold1 | 6.91 .272 | 20.83 .820 | 12.70 .500 | 3.48 .137 | — | 5415417-1 |
| Metal with Compliant Posts (Economy)* | Tin | 8.56 .337 | 21.21 .835 | 15.88 .625 | 3.48 .137 | — | 5415419-1 |
| Metal | Gold1 | 8.25 .325 | 20.83 .820 | 15.88 .625 | 3.48 .137 | — | 5222092-3 |
| Metal | Gold1 | 6.91 .272 | 20.83 .820 | 12.70 .500 | 3.48 .137 | — | 5414907-1 |
| Metal | Gold1 | 6.91 .272 | 20.83 .820 | 12.70 .500 | — | 6274072-1 | — |
| Metal (Economy)* | Gold1 | 6.91 .272 | 20.83 .820 | 12.70 .500 | 3.48 .137 | — | 6274084-1 |

*Economy connector uses 50 Ω part with smaller dielectric and stamped and formed contact, Phosphor Bronze contact material (Compare to regular connector which is 75 Ω, screw machined Beryllium Copper).

Plating:

Gold1 — 0.00076 [0.000030] thick
Gold2 — 0.00127 [0.000050] thick

Note: If an Insulating Bushing is required see part number 330620 and Panel Cutout on page 54.

VALOX is a trademark of General Electric Company.

Note: Part Numbers are RoHS compliant except: ♦ Indicates non-RoHS compliant.

BNC Connectors, 75 Ohm (Continued)

**Vertical Jacks
PC Board/Panel Mount**

Plating

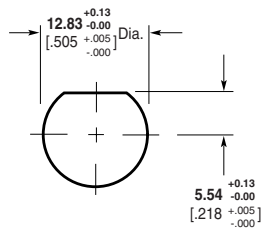
Outer Shell — Nickel

Dielectric — Polymethylpentene

VALOX Body



Metal Body



Maximum Panel Thickness 6.1 [.240]

Recommended Panel Cutout

| Body Material | Contact Plating | Dim. B | Dim. L | Part No. |
|-------------------------|-----------------|---------------|--------------|-----------|
| VALOX, Black (Economy)* | Gold1 | 21.21 .835 | 3.48 .137 | 5415632-1 |
| VALOX, White (Economy)* | Gold1 | 21.21 .835 | 3.48 .137 | 5415632-2 |
| Metal | Gold1 | 20.83 .820 | 3.48 .137 | 5222132-1 |
| Metal (Economy)* | Tin | 21.21 .835 | 3.48 .137 | 5415520-1 |

*Economy connector uses 50 Ω part with smaller dielectric and stamped and formed contact, Phosphor Bronze contact material (Compare to regular connector which is 75 Ω, screw machined Beryllium Copper).

Plating:

Gold1 — 0.00076 [.000030] thick

Note: If an Insulating Bushing is required see part number 330620 and Panel Cutout on page 54.

Lockwasher and Jam Nut



Part No.
1-329632-2



Part No.
1-329631-2

* Screw for panel thickness of 2.38 [3/32] or greater

Part No. 221108-2.

Screw for panel thickness of less than 2.38 [3/32]

Part No. 221108-4.



(Top View)

Recommended PC Board Layout

VALOX is a trademark of General Electric Company.

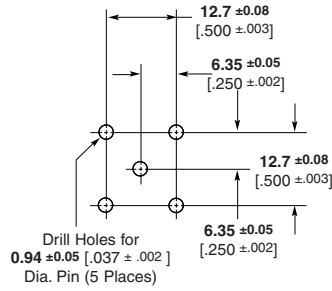
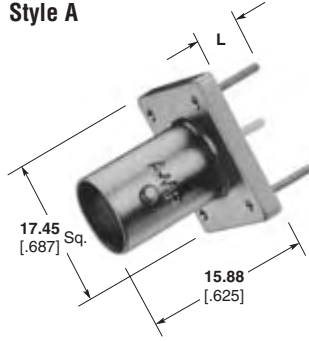
Note: Part Numbers are RoHS compliant except: ♦ Indicates non-RoHS compliant.

BNC Connectors, 75 Ohm (Continued)

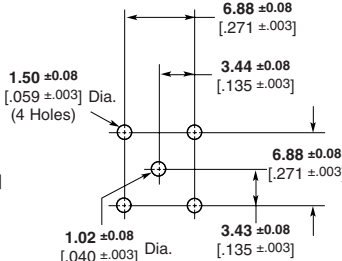
**Vertical Metalized Jacks
PC Board Mount**

Plating
Dielectric — TEFLON

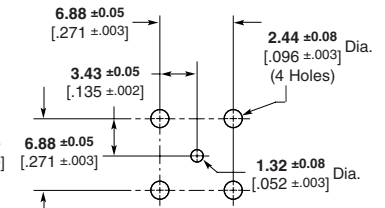
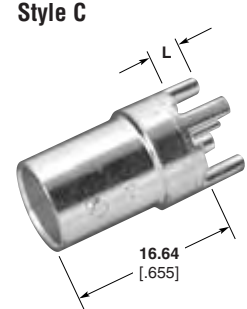
Style A



Style B

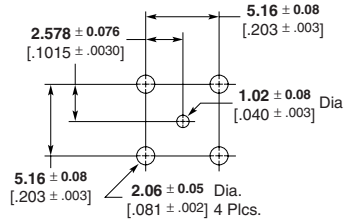
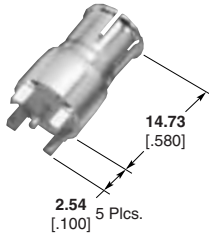


Style C



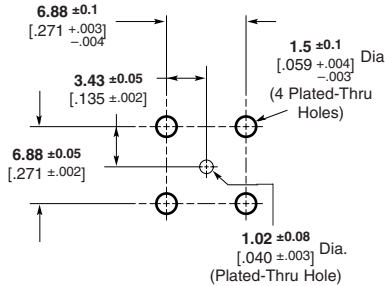
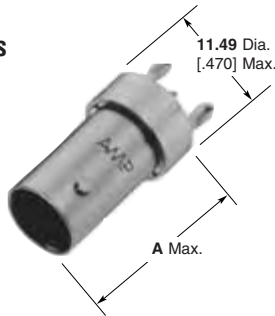
Recommended PC Board Layout

Style F (Push-On)



| Body Plating | Center Contact Plating | Style | Leg Length L | Part No. |
|--------------|------------------------|-------|--------------|-----------|
| Nickel | Gold | B | 3.30 .130 | 6274291-2 |
| Tin | Gold | B | 3.30 .130 | 6274291-1 |
| Tin | Gold | B | 6.35 .250 | 6274359-1 |
| Tin | Gold | C | 4.44 .175 | 5414394-1 |
| Nickel | Silver | A | 6.35 .250 | 5413986-1 |
| Tin | Gold | F | 2.54 .100 | 6274360-1 |

**Press Fit
Vertical Metalized Jacks
PC Board Mount**

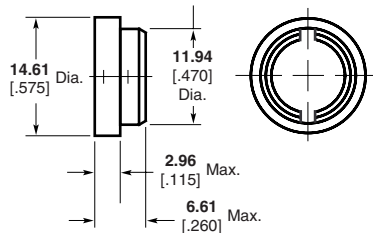


Recommended PC Board Layout

| Dim. A | Part No. |
|---------------|-----------|
| 20.57 .810 | 5222462-1 |
| 16.26 .640 | 5414088-1 |

Insulating Bushing

Material — Nylon
Part No. 222163-1
Only to be used on Part Nos.
5222462-1 and 5222006-1

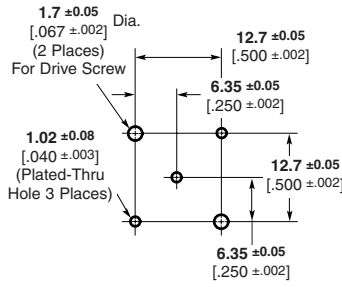
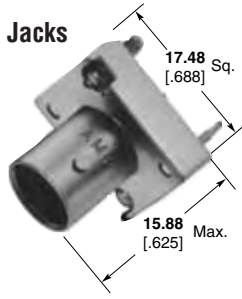


TEFLON is a trademark of E.I. Dupont de Nemours and Company.

Note: Part Numbers are RoHS compliant except: ♦ Indicates non-RoHS compliant.

BNC Connectors, 75 Ohm (Continued)

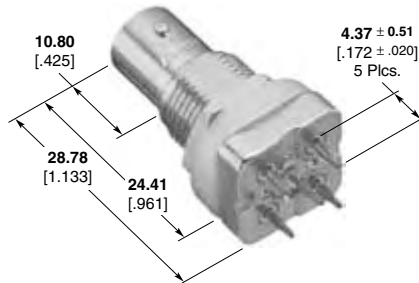
Press Fit Vertical Metalized Jacks PC Board Mount
(Continued)



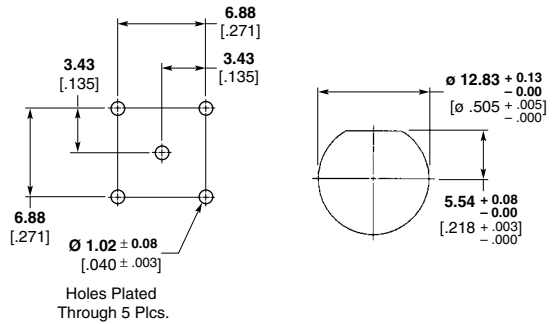
Recommended PC Board Layout

| PC Board Thickness (Min.) | Part No. |
|---------------------------|-----------|
| 2.36 | 5221336-3 |
| .093 | |
| 3.17 | 5221336-4 |
| .125 | |

Press Fit, Bulkhead Vertical Metalized Jack includes hardware

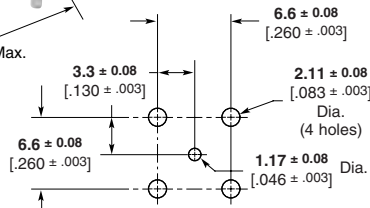
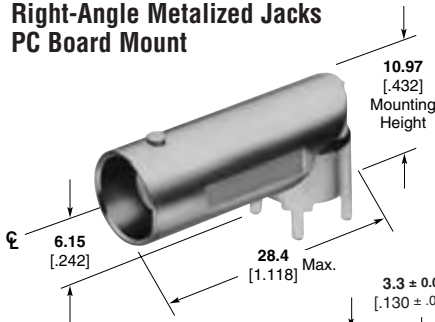


Part No. 6274124-2



Recommended PC Board Layout

Right-Angle Metalized Jacks PC Board Mount

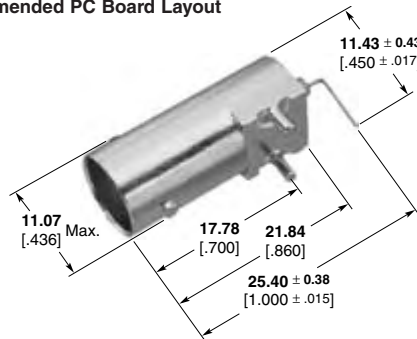


Maximum PC Board Thickness 2.54 [.100]

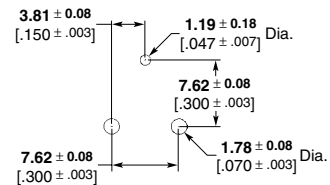
Recommended PC Board Layout

| Body Plating | Dielectric | Contact Plating | Center Contact Dimension | Part No. |
|--------------|------------|-----------------|--------------------------|-----------|
| Nickel | TPX | Gold2 | .171 [.007] | 5413558-1 |
| Tin | TEFLON | Gold2 | .171 [.007] | 5413558-2 |
| Nickel | TPX | Gold2 | .131 [.005] | 5413558-3 |
| Nickel | TPX | Gold1 | .171 [.007] | 5413558-5 |

Gold1—0.00076 [.000030] thick
Gold2—0.00127 [.000050] thick



Part No. 6274127-1

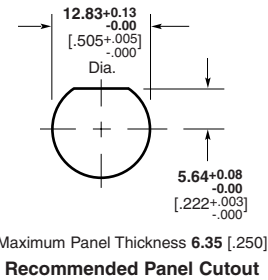


TEFLON is a trademark of E.I. Dupont de Nemours and Company.
TPX is a trademark of Mitsui Chemicals America, Inc.

Note: Part Numbers are RoHS compliant except: ♦ Indicates non-RoHS compliant.

BNC Connectors, 75 Ohm (Continued)

**Right-Angle Metalized Jacks
PC Board/Panel Mount**

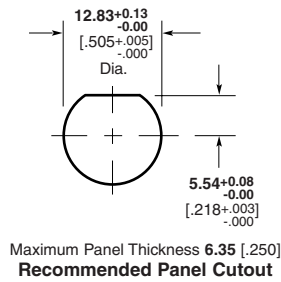


| Body Plating | Dielectric | Part No. |
|--------------|------------|-----------|
| Tin | TEFLON | 6274425-2 |

Bulkhead Jack-Jack Adapter

Plating

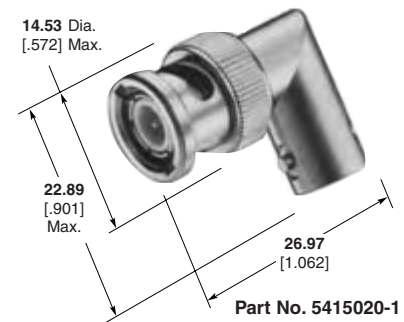
Body — Nickel
Center Contact — Gold
Dielectric — Polymethylpentene



**Right-Angle Adapter
(Jack-Plug)**

Plating

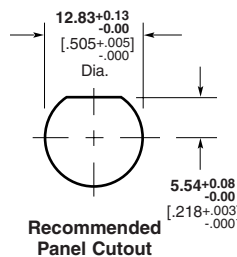
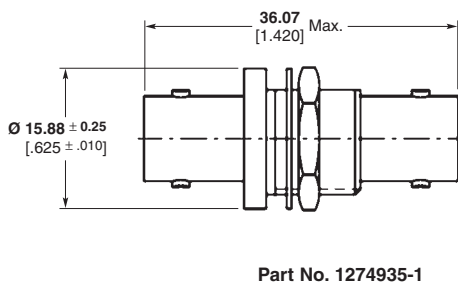
Body — Nickel
Center Contact — Gold
Dielectric — Polymethylpentene



Bulkhead Jack-Jack Adapter

Plating

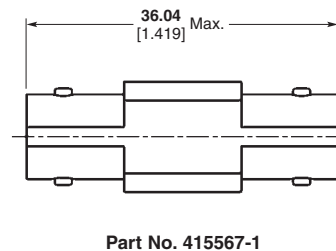
Body — Nickel
Center Contact — Gold
Dielectric — Polymethylpentene



Jack-Jack Adapter

Plating

Body — Nickel
Center Contact — Gold
Dielectric — Polymethylpentene

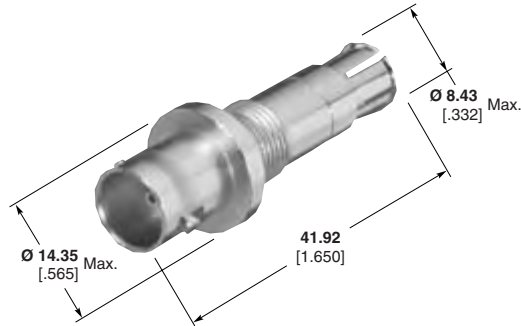


TEFLON is a trademark of E.I. Dupont de Nemours and Company.

Note: Part Numbers are RoHS compliant except: ♦ Indicates non-RoHS compliant.

BNC Connectors, 75 Ohm (Continued)

Bulkhead Jack-Push On Plug Adapter



Part No. 1274007-1



Recommended Panel Cutout

Note: Part Numbers are RoHS compliant except: ♦ Indicates non-RoHS compliant.